



# **Cordless Driver Drill**

**Instruction Manual**

# **Akku-Bohrschrauber**

**Betriebsanleitung**

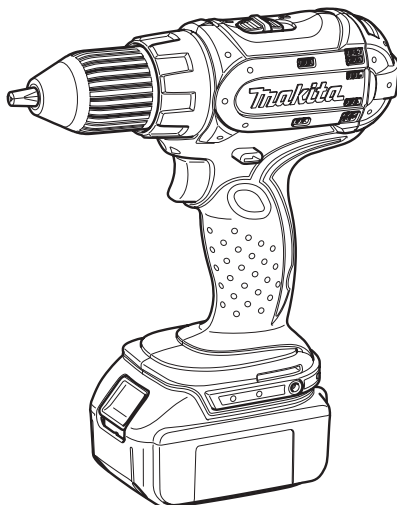
# **Akumulatorowa wiertarko-wkrętarka**

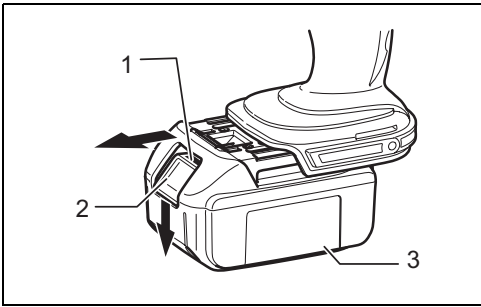
**Instrukcja obsługi**

# **Аккумуляторная дрель шуруповерт**

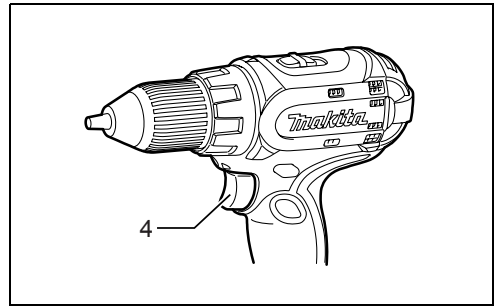
**Инструкцию по эксплуатации**

**BDF442/BDF452**

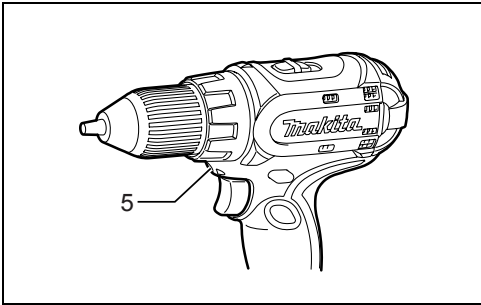




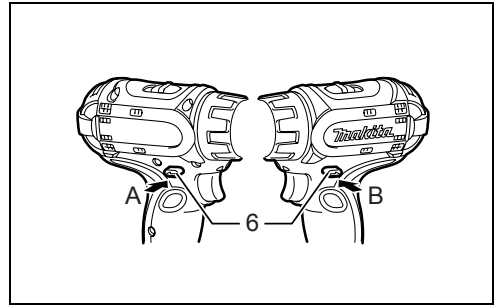
1



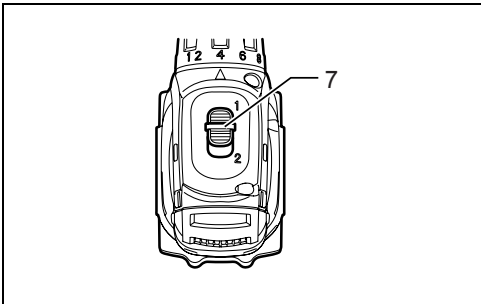
2



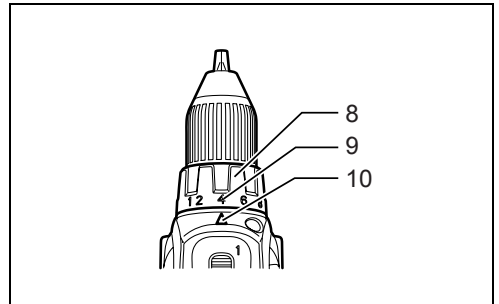
3



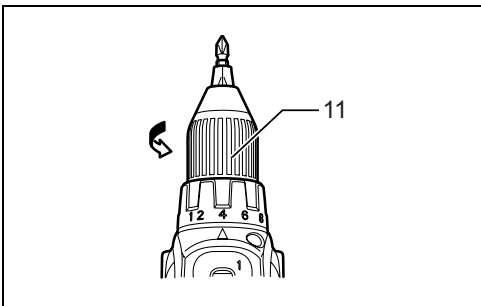
4



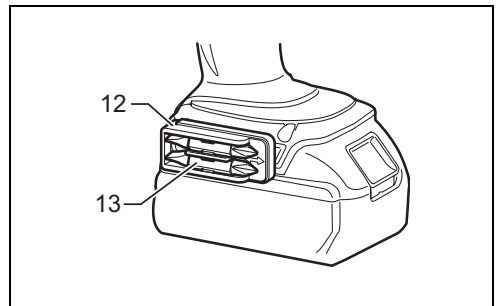
5



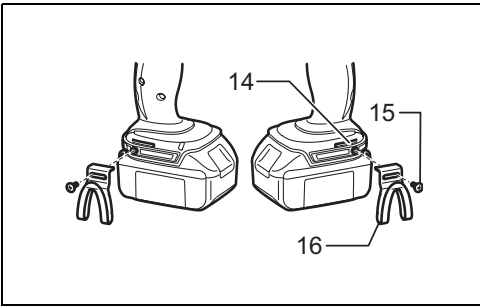
6



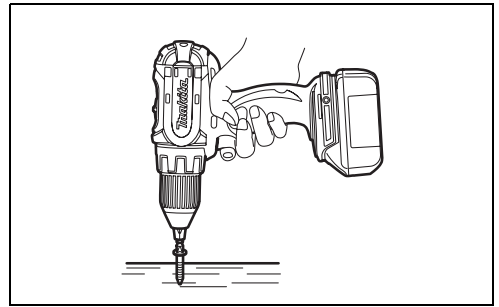
7



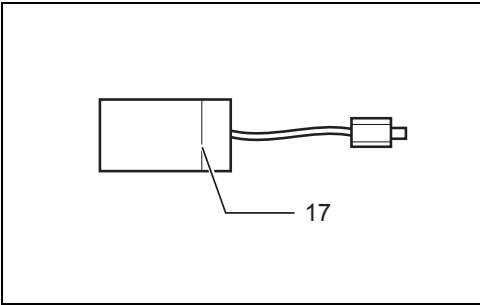
8



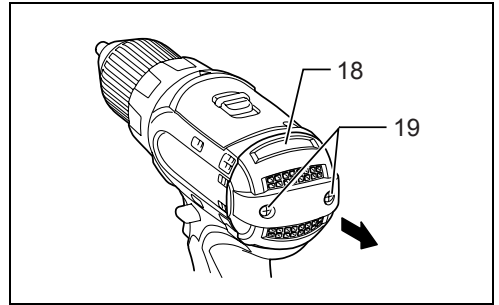
9



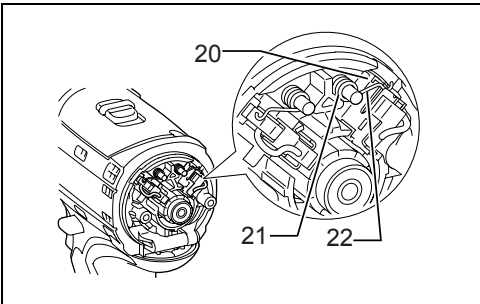
10



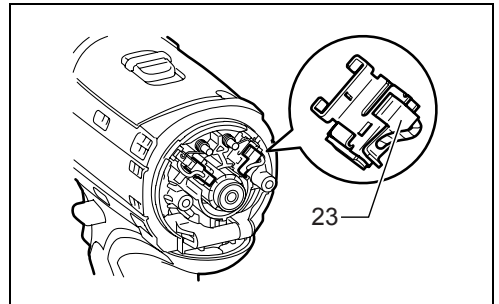
11



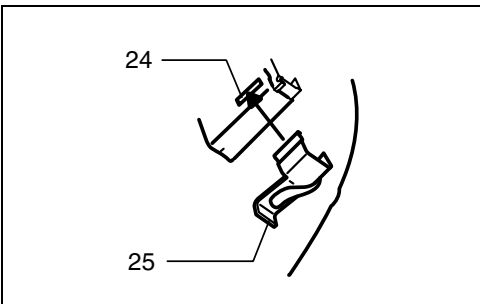
12



13



14



15

## ENGLISH

### Explanation of general view

- |                           |                |                      |
|---------------------------|----------------|----------------------|
| 1. Red part               | 10. Pointer    | 19. Screws           |
| 2. Button                 | 11. Sleeve     | 20. Recessed part    |
| 3. Battery cartridge      | 12. Bit holder | 21. Spring           |
| 4. Switch trigger         | 13. Bit        | 22. Arm              |
| 5. Lamp                   | 14. Groove     | 23. Carbon brush cap |
| 6. Reversing switch lever | 15. Screw      | 24. Hole             |
| 7. Speed change lever     | 16. Hook       | 25. Carbon brush cap |
| 8. Adjusting ring         | 17. Limit mark |                      |
| 9. Graduation             | 18. Rear cover |                      |

## SPECIFICATIONS

| Model                                       |               | BDF442          | BDF452          |
|---|---------------|-----------------|-----------------|
| Capacities                                  | Steel         | 13 mm           | 13 mm           |
|   | Wood          | 38 mm           | 38 mm           |
|   | Wood screw    | 6 mm x 75 mm    | 10 mm x 89 mm   |
|   | Machine screw | M6              | M6              |
| No load speed (min <sup>-1</sup> )          | High (2)      | 0 - 1,400       | 0 - 1,500       |
|   | Low (1)       | 0 - 400         | 0 - 400         |
| Overall length                              |               | 197 mm          | 197 mm          |
| Net weight (with type of battery cartridge) |               | 1.7 kg (BL1430) | 1.8 kg (BL1830) |
| Rated voltage                               |               | D.C. 14.4 V     | D.C. 18 V       |

- Due to our continuing program of research and development, the specifications herein are subject to change without notice.
- Note: Specifications may differ from country to country.

### Symbols

END001-1

The following show the symbols used for the equipment. Be sure that you understand their meaning before use.



### Only for EU countries

Do not dispose of electric equipment together with household waste material!

In observance of European Directive 2002/96/EC on waste electrical and electronic equipment and its implementation in accordance with national law, electric equipment that have reached the end of their life must be collected separately and returned to an environmentally compatible recycling facility.

### Intended use

ENE034-1

The tool is intended for drilling and screw driving in wood, metal and plastic.

## GENERAL SAFETY RULES

GEA002-3

**WARNING! Read all instructions.** Failure to follow all instructions listed below may result in electric shock, fire and/or serious injury. The term "power tool" in all of the warnings listed below refers to your mains-operated (corded) power tool or battery-operated (cordless) power tool.

## SAVE THESE INSTRUCTIONS.

### Work area safety

1. **Keep work area clean and well lit.** Cluttered and dark areas invite accidents.
2. **Do not operate power tools in explosive atmospheres, such as in the presence of flammable liquids, gases or dust.** Power tools create sparks which may ignite the dust or fumes.
3. **Keep children and bystanders away while operating a power tool.** Distractions can cause you to lose control.

### Electrical safety

4. **Power tool plugs must match the outlet. Never modify the plug in any way. Do not use any adapter plugs with earthed (grounded) power tools.** Unmodified plugs and matching outlets will reduce risk of electric shock.
5. **Avoid body contact with earthed or grounded surfaces such as pipes, radiators, ranges and**

**refrigerators.** There is an increased risk of electric shock if your body is earthed or grounded.

6. **Do not expose power tools to rain or wet conditions.** Water entering a power tool will increase the risk of electric shock.
7. **Do not abuse the cord. Never use the cord for carrying, pulling or unplugging the power tool. Keep cord away from heat, oil, sharp edges or moving parts.** Damaged or entangled cords increase the risk of electric shock.
8. **When operating a power tool outdoors, use an extension cord suitable for outdoor use.** Use of a cord suitable for outdoor use reduces the risk of electric shock.

#### Personal safety

9. **Stay alert, watch what you are doing and use common sense when operating a power tool. Do not use a power tool while you are tired or under the influence of drugs, alcohol or medication.** A moment of inattention while operating power tools may result in serious personal injury.
10. **Use safety equipment. Always wear eye protection.** Safety equipment such as dust mask, non-skid safety shoes, hard hat, or hearing protection used for appropriate conditions will reduce personal injuries.
11. **Avoid accidental starting. Ensure the switch is in the off-position before plugging in.** Carrying power tools with your finger on the switch or plugging in power tools that have the switch on invites accidents.
12. **Remove any adjusting key or wrench before turning the power tool on.** A wrench or a key left attached to a rotating part of the power tool may result in personal injury.
13. **Do not overreach. Keep proper footing and balance at all times.** This enables better control of the power tool in unexpected situations.
14. **Dress properly. Do not wear loose clothing or jewellery. Keep your hair, clothing, and gloves away from moving parts.** Loose clothes, jewellery or long hair can be caught in moving parts.
15. **If devices are provided for the connection of dust extraction and collection facilities, ensure these are connected and properly used.** Use of these devices can reduce dust-related hazards.

#### Power tool use and care

16. **Do not force the power tool. Use the correct power tool for your application.** The correct power tool will do the job better and safer at the rate for which it was designed.
17. **Do not use the power tool if the switch does not turn it on and off.** Any power tool that cannot be controlled with the switch is dangerous and must be repaired.
18. **Disconnect the plug from the power source and/or the battery pack from the power tool before making any adjustments, changing accessories, or storing power tools.** Such preventive safety measures reduce the risk of starting the power tool accidentally.
19. **Store idle power tools out of the reach of children and do not allow persons unfamiliar with the power tool or these instructions to operate the**

**power tool.** Power tools are dangerous in the hands of untrained users.

20. **Maintain power tools. Check for misalignment or binding of moving parts, breakage of parts and any other condition that may affect the power tools operation. If damaged, have the power tool repaired before use.** Many accidents are caused by poorly maintained power tools.
21. **Keep cutting tools sharp and clean.** Properly maintained cutting tools with sharp cutting edges are less likely to bind and are easier to control.
22. **Use the power tool, accessories and tool bits etc. in accordance with these instructions and in the manner intended for the particular type of power tool, taking into account the working conditions and the work to be performed.** Use of the power tool for operations different from those intended could result in a hazardous situation.

#### Battery tool use and care

23. **Ensure the switch is in the off position before inserting battery pack.** Inserting the battery pack into power tools that have the switch on invites accidents.
24. **Recharge only with the charger specified by the manufacturer.** A charger that is suitable for one type of battery pack may create a risk of fire when used with another battery pack.
25. **Use power tools only with specifically designated battery packs.** Use of any other battery packs may create a risk of injury and fire.
26. **When battery pack is not in use, keep it away from other metal objects like paper clips, coins, keys, nails, screws, or other small metal objects that can make a connection from one terminal to another.** Shorting the battery terminals together may cause burns or a fire.
27. **Under abusive conditions, liquid may be ejected from the battery, avoid contact. If contact accidentally occurs, flush with water. If liquid contacts eyes, additionally seek medical help.** Liquid ejected from the battery may cause irritation or burns.

#### Service

28. **Have your power tool serviced by a qualified repair person using only identical replacement parts.** This will ensure that the safety of the power tool is maintained.
29. **Follow instruction for lubricating and changing accessories.**
30. **Keep handles dry, clean and free from oil and grease.**

## SPECIFIC SAFETY RULES

GEB002-2

**DO NOT let comfort or familiarity with product (gained from repeated use) replace strict adherence to drill safety rules. If you use this power tool unsafely or incorrectly, you can suffer serious personal injury.**

1. **Hold power tools by insulated gripping surfaces when performing an operation where the cutting tool may contact hidden wiring or its own cord.** Contact with a "live" wire will make exposed metal parts of the tool "live" and shock the operator.

2. **Always be sure you have a firm footing.**  
Be sure no one is below when using the tool in high locations.
3. **Hold the tool firmly.**
4. **Keep hands away from rotating parts.**
5. **Do not leave the tool running.** Operate the tool only when hand-held.
6. **Do not touch the drill bit or the workpiece immediately after operation; they may be extremely hot and could burn your skin.**
7. **Some material contains chemicals which may be toxic.** Take caution to prevent dust inhalation and skin contact. Follow material supplier safety data.

## SAVE THESE INSTRUCTIONS.

### WARNING:

**MISUSE** or failure to follow the safety rules stated in this instruction manual may cause serious personal injury.

## IMPORTANT SAFETY INSTRUCTIONS

ENC007-2

## FOR BATTERY CARTRIDGE

1. **Before using battery cartridge, read all instructions and cautionary markings on (1) battery charger, (2) battery, and (3) product using battery.**
2. **Do not disassemble battery cartridge.**
3. **If operating time has become excessively shorter, stop operating immediately.** It may result in a risk of overheating, possible burns and even an explosion.
4. **If electrolyte gets into your eyes, rinse them out with clear water and seek medical attention right away.** It may result in loss of your eyesight.
5. **Do not short the battery cartridge:**
  - (1) **Do not touch the terminals with any conductive material.**
  - (2) **Avoid storing battery cartridge in a container with other metal objects such as nails, coins, etc.**
  - (3) **Do not expose battery cartridge to water or rain.**  
A battery short can cause a large current flow, overheating, possible burns and even a breakdown.
6. **Do not store the tool and battery cartridge in locations where the temperature may reach or exceed 50°C (122°F).**
7. **Do not incinerate the battery cartridge even if it is severely damaged or is completely worn out.** The battery cartridge can explode in a fire.
8. **Be careful not to drop or strike battery.**

## SAVE THESE INSTRUCTIONS.

### Tips for maintaining maximum battery life

1. **Charge the battery cartridge before completely discharged.**

- Always stop tool operation and charge the battery cartridge when you notice less tool power.**
2. **Never recharge a fully charged battery cartridge.** Overcharging shortens the battery service life.
3. **Charge the battery cartridge with room temperature at 10°C - 40°C (50°F - 104°F).** Let a hot battery cartridge cool down before charging it.

## FUNCTIONAL DESCRIPTION

### CAUTION:

- Always be sure that the tool is switched off and the battery cartridge is removed before adjusting or checking function on the tool.

### Installing or removing battery cartridge (Fig. 1)

- Always switch off the tool before insertion or removal of the battery cartridge.
- To remove the battery cartridge, withdraw it from the tool while sliding the button on the side of the cartridge.
- To insert the battery cartridge, align the tongue on the battery cartridge with the groove in the housing and slip it into place. Always insert it all the way until it locks in place with a little click. If you can see the red part on the upper side of the button, it is not locked completely. Insert it fully until the red part cannot be seen. If not, it may accidentally fall out of the tool, causing injury to you or someone around you.
- Do not use force when inserting the battery cartridge. If the cartridge does not slide in easily, it is not being inserted correctly.

### Switch action (Fig. 2)

#### CAUTION:

- Before inserting the battery cartridge into the tool, always check to see that the switch trigger actuates properly and returns to the "OFF" position when released.

To start the tool, simply pull the switch trigger. Tool speed is increased by increasing pressure on the switch trigger. Release the switch trigger to stop.

### Lighting up the front lamp (Fig. 3)

#### CAUTION:

- Do not look in the light or see the source of light directly.

Pull the switch trigger to light up the lamp. The lamp keeps on lighting while the switch trigger is being pulled. The lamp goes out 10 -15 seconds after releasing the trigger.

#### NOTE:

- Use a dry cloth to wipe the dirt off the lens of lamp. Be careful not to scratch the lens of lamp, or it may lower the illumination.

### Reversing switch action (Fig. 4)

This tool has a reversing switch to change the direction of rotation. Depress the reversing switch lever from the A side for clockwise rotation or from the B side for counterclockwise rotation.

When the reversing switch lever is in the neutral position, the switch trigger cannot be pulled.

#### CAUTION:

- Always check the direction of rotation before operation.
- Use the reversing switch only after the tool comes to a complete stop. Changing the direction of rotation before the tool stops may damage the tool.
- When not operating the tool, always set the reversing switch lever to the neutral position.


### Speed change (Fig. 5)


To change the speed, first switch off the tool and then slide the speed change lever to the “2” side for high speed or “1” side for low speed. Be sure that the speed change lever is set to the correct position before operation. Use the right speed for your job.

#### CAUTION:

- Always set the speed change lever fully to the correct position. If you operate the tool with the speed change lever positioned halfway between the “1” side and “2” side, the tool may be damaged.
- Do not use the speed change lever while the tool is running. The tool may be damaged.

### Adjusting the fastening torque (Fig. 6)

The fastening torque can be adjusted in 17 steps by turning the adjusting ring so that its graduations are aligned with the pointer on the tool body. The fastening torque is minimum when the number 1 is aligned with the pointer, and maximum when the  marking is aligned with the pointer.

The clutch will slip at various torque levels when set at the number 1 to 16. The clutch is designed not to slip at the  marking.

Before actual operation, drive a trial screw into your material or a piece of duplicate material to determine which torque level is required for a particular application.

## ASSEMBLY

#### CAUTION:

- Always be sure that the tool is switched off and the battery cartridge is removed before carrying out any work on the tool.

### Installing or removing driver bit or drill bit (Fig. 7)

Turn the sleeve counterclockwise to open the chuck jaws. Place the bit in the chuck as far as it will go. Turn the sleeve clockwise to tighten the chuck.

To remove the bit, turn the sleeve counterclockwise.

### Installing bit holder (Optional accessory) (Fig. 8)

Fit the bit holder into the protrusion at the tool foot on either right or left side and secure it with a screw.

When not using the driver bit, keep it in the bit holders.

Bits 45 mm long can be kept there.

### Hook (Optional accessory) (Fig. 9)

The hook is convenient for temporarily hanging the tool.

This can be installed on either side of the tool.

To install the hook, insert it into a groove in the tool housing on either side and then secure it with a screw.

To remove, loosen the screw and then take it out.

## OPERATION

#### CAUTION:

- Always insert the battery cartridge all the way until it locks in place. If you can see the red part on the upper side of the button, it is not locked completely. Insert it fully until the red part cannot be seen. If not, it may accidentally fall out of the tool, causing injury to you or someone around you.

Hold the tool firmly with one hand on the grip and the other hand on the bottom of the battery cartridge to control the twisting action.

### Screwdriving operation (Fig. 10)

#### CAUTION:

- Adjust the adjusting ring to the proper torque level for your work.

Place the point of the driver bit in the screw head and apply pressure to the tool. Start the tool slowly and then increase the speed gradually. Release the switch trigger as soon as the clutch cuts in.

#### CAUTION:


- Make sure that the driver bit is inserted straight in the screw head, or the screw and/or bit may be damaged.

#### NOTE:

- When driving wood screws, predrill pilot holes to make driving easier and to prevent splitting of the workpiece. See the chart.

| Nominal diameter of wood screw (mm) | Recommended size of pilot hole (mm) |
|-------------------------------------|-------------------------------------|
| 3.1                                 | 2.0 - 2.2                           |
| 3.5                                 | 2.2 - 2.5                           |
| 3.8                                 | 2.5 - 2.8                           |
| 4.5                                 | 2.9 - 3.2                           |
| 4.8                                 | 3.1 - 3.4                           |
| 5.1                                 | 3.3 - 3.6                           |
| 5.5                                 | 3.7 - 3.9                           |
| 5.8                                 | 4.0 - 4.2                           |
| 6.1                                 | 4.2 - 4.4                           |

### Drilling operation

First, turn the adjusting ring so that the pointer points to the  marking. Then proceed as follows.

#### Drilling in wood

When drilling in wood, the best results are obtained with wood drills equipped with a guide screw. The guide screw makes drilling easier by pulling the bit into the workpiece.

#### Drilling in metal

To prevent the bit from slipping when starting a hole, make an indentation with a center-punch and hammer at the point to be drilled. Place the point of the bit in the indentation and start drilling.

Use a cutting lubricant when drilling metals. The exceptions are iron and brass which should be drilled dry.

#### CAUTION:

- Pressing excessively on the tool will not speed up the drilling. In fact, this excessive pressure will only serve to damage the tip of your bit, decrease the tool performance and shorten the service life of the tool.
- There is a tremendous force exerted on the tool/bit at the time of hole break through. Hold the tool firmly and exert care when the bit begins to break through the workpiece.
- A stuck bit can be removed simply by setting the reversing switch to reverse rotation in order to back out. However, the tool may back out abruptly if you do not hold it firmly.
- Always secure small workpieces in a vise or similar hold-down device.
- If the tool is operated continuously until the battery cartridge has discharged, allow the tool to rest for 15 minutes before proceeding with a fresh battery.

## MAINTENANCE

#### CAUTION:

- Always be sure that the tool is switched off and the battery cartridge is removed before attempting to perform inspection or maintenance.

### Replacing carbon brushes (Fig. 11)

Replace when they wear down to the limit mark. Keep the carbon brushes clean and free to slip in the holders.

Both carbon brushes should be replaced at the same time. Use only identical carbon brushes.

Use a screwdriver to remove two screws then remove the rear cover. (Fig. 12)

Raise the arm part of the spring and then place it in the recessed part of the housing with a slotted bit screwdriver of slender shaft or the like. (Fig. 13)

Use pliers to remove the carbon brush caps of the carbon brushes. Take out the worn carbon brushes, insert the new ones and replace the carbon brush caps in reverse. (Fig. 14)

Make sure that the carbon brush caps have fit into the holes in brush holders securely. (Fig. 15)

Reinstall the rear cover and tighten two screws securely.

To maintain product SAFETY and RELIABILITY, repairs, any other maintenance or adjustment should be performed by Makita Authorized Service Centers, always using Makita replacement parts.

## ACCESSORIES

#### CAUTION:

- These accessories or attachments are recommended for use with your Makita tool specified in this manual. The use of any other accessories or attachments might present a risk of injury to persons. Only use accessory or attachment for its stated purpose.

If you need any assistance for more details regarding these accessories, ask your local Makita Service Center.

- Drill bits
- Screw bits

- Bit holder
- Hook
- Various type of Makita genuine batteries and chargers
- Automatic refreshing adapter
- Plastic carrying case

### For Model BDF442

#### For European countries only

##### Noise and Vibration

ENG003-2

The typical A-weighted sound pressure level is 71 dB (A). Uncertainty is 3 dB (A).

The noise level under working may exceed 85 dB (A).

##### Wear ear protection.

The typical weighted root mean square acceleration value is not more than 2.5 m/s<sup>2</sup>.

These values have been obtained according to EN60745.

### For Model BDF452

#### For European countries only

##### Noise and Vibration

ENG001-2

The typical A-weighted sound pressure level is 70 dB (A). The noise level under working may exceed 85 dB (A).

##### Wear ear protection.

The typical weighted root mean square acceleration value is not more than 2.5 m/s<sup>2</sup>.

These values have been obtained according to EN60745.

### EC-DECLARATION OF CONFORMITY

ENH102-6

#### Model; BDF442, BDF452

We declare under our sole responsibility that this product is in compliance with the following standards of standardized documents; EN60745, EN55014 in accordance with Council Directives, 2004/108/EC, 98/37/EC.

CE2006



Tomoyasu Kato  
Director

Responsible Manufacturer:

#### Makita Corporation

3-11-8, Sumiyoshi-cho, Anjo, Aichi, JAPAN

Authorized Representative in Europe:

#### Makita International Europe Ltd.

Michigan Drive, Tongwell, Milton Keynes, Bucks MK15 8JD, ENGLAND



# DEUTSCH

## Erklärung der Gesamtdarstellung

- |                                    |                          |                         |
|------------------------------------|--------------------------|-------------------------|
| 1. Roter Bereich                   | 10. Zeiger               | 19. Schrauben           |
| 2. Taste                           | 11. Kranz                | 20. Abgestufter Bereich |
| 3. Akkublock                       | 12. Werkzeughalter       | 21. Feder               |
| 4. Ein/Aus-Schalter                | 13. Einsatz              | 22. Arm                 |
| 5. Lampe                           | 14. Rille                | 23. Kohlebürstenkappe   |
| 6. Umschalthebel                   | 15. Schraube             | 24. Loch                |
| 7. Hebel zur Änderung der Drehzahl | 16. Einhängeclip         | 25. Kohlebürstenkappe   |
| 8. Justierungsring                 | 17. Verschleißmarkierung |                         |
| 9. Einteilung                      | 18. Hintere Abdeckung    |                         |

## TECHNISCHE ANGABEN

| Modell                                 |                   | BDF442                | BDF452              |
|--|-------------------|-----------------------|---------------------|
| Kapazität                              | Stahl             | 13 mm                 | 13 mm               |
|  | Holz              | 38 mm                 | 38 mm               |
|  | Holzschraube      | 6 mm x 75 mm          | 10 mm x 89 mm       |
|  | Maschinenschraube | M6                    | M6                  |
| Leerlauf-Drehzahl (min <sup>-1</sup> ) | Hoch (2)          | 0 - 1.400             | 0 - 1.500           |
|  | Niedrig (1)       | 0 - 400               | 0 - 400             |
| Gesamtlänge                            |                   | 197 mm                | 197 mm              |
| Nettogewicht (mit Akkublock)           |                   | 1,7 kg (BL1430)       | 1,8 kg (BL1830)     |
| Nennspannung                           |                   | Gleichspannung 14,4 V | Gleichspannung 18 V |

- Aufgrund unserer fortschreitenden Forschungen und Entwicklungen sind Änderungen an den hier wiedergegebenen Angaben ohne Vorankündigung vorbehalten.
- Hinweis: Technische Daten können in den einzelnen Ländern unterschiedlich sein.

### Symbole

END001-1

Im Folgenden sind die Symbole dargestellt, die im Zusammenhang mit diesem Werkzeug verwendet werden. Es ist wichtig, dass Sie deren Bedeutung vor dem Einsatz des Werkzeugs kennen.



### Nur für EU-Länder

Werfen Sie Elektrowerkzeuge nicht in den Hausmüll!

Gemäß Europäischer Richtlinie 2002/96/EG über Elektro- und Elektronik- Altgeräte und Umsetzung in nationales Recht müssen verbrauchte Elektrowerkzeuge getrennt gesammelt und einer umweltgerechten Wiederverwertung zugeführt werden.

### Verwendungszweck

ENE034-1

Das Werkzeug wurde für das Bohren und Schrauben in Holz, Metall und Kunststoff entwickelt.

## ALLGEMEINE SICHERHEITSGESAMTREGELN

GEA002-3

**WARNUNG! Lesen Sie alle Anweisungen.** Werden nicht alle der unten aufgeführten Anweisungen befolgt, besteht die Gefahr eines Stromschlags, Brands und/oder das Risiko schwerer Verletzungen. Der Begriff „Elektrowerkzeug“ bezieht sich in allen unten aufgeführten Warnhinweisen auf Ihr netzbetriebenes Elektrowerkzeug (mit Kabel) oder Ihr akku- bzw. batteriebetriebenes Elektrowerkzeug (ohne Kabel).

## BEWAHREN SIE DIESE ANWEISUNGEN SORGFÄLTIG AUF.

### Sicherheit am Arbeitsplatz

1. **Achten Sie auf ein sauberes und gut beleuchtetes Arbeitsumfeld.** In unordentlichen und dunklen Bereichen können schnell Unfälle passieren.
2. **Betreiben Sie keine Elektrowerkzeuge in explosionsgefährdeter Umgebung, wie etwa in der Nähe von brennbaren Flüssigkeiten, Gasen oder Staub.** Bei Elektrowerkzeugen treten Funken aus, die Staub und Dämpfe entzünden können.
3. **Halten Sie Kinder und Zuschauer auf Abstand, wenn Sie ein Elektrowerkzeug bedienen.** Ablenkung kann zum Verlust der Beherrschung des Werkzeugs führen.

## Elektrische Sicherheit

- Die Stecker des Elektrowerkzeugs müssen zur Steckdose passen. Nehmen Sie niemals Änderungen am Stecker vor. Verwenden Sie keine Adapterstecker bei geerdeten Elektrowerkzeugen. Originalstecker und passende Steckdosen reduzieren das Risiko eines Stromschlags.
- Vermeiden Sie Körperkontakt mit geerdeten Oberflächen, wie Rohren, Kühlern, Heiz- und Kühlelementen. Wenn Ihr Körper geerdet ist, besteht ein erhöhtes Risiko eines Stromschlags.
- Das Elektrowerkzeug darf weder Regen noch Feuchtigkeit ausgesetzt werden. Wenn Wasser in ein Elektrowerkzeug eindringt, erhöht dies das Risiko eines Stromschlags.
- Missbrauchen Sie das Stromkabel nicht. Verwenden Sie nie das Kabel, um das Elektrowerkzeug zu transportieren, heranzuziehen oder den Stecker herauszuziehen. Halten Sie das Kabel von Hitze, Öl, scharfen Kanten und beweglichen Teilen fern. Beschädigte oder verwickelte Kabel erhöhen das Risiko eines Stromschlags.
- Verwenden Sie ein dafür geeignetes Verlängerungskabel, wenn Sie das Elektrowerkzeug im Freien betreiben. Die Verwendung eines für den Gebrauch im Freien vorgesehenen Verlängerungskabels vermindert das Risiko eines Stromschlags.

## Persönliche Sicherheit

- Bleiben Sie wachsam, achten Sie auf das, was Sie tun, und gebrauchen Sie Ihren gesunden Menschenverstand, wenn Sie ein Elektrowerkzeug benutzen. Betreiben Sie Elektrowerkzeuge nicht, wenn Sie müde sind oder unter dem Einfluss von Drogen, Alkohol oder Medikamenten stehen. Ein Moment der Unachtsamkeit kann beim Umgang mit Elektrowerkzeugen zu schweren Personenschäden führen.
- Verwenden Sie eine Sicherheitsausrüstung. Benutzen Sie immer eine Schutzbrille. Den Umständen angepasste Sicherheitsausrüstung wie Staubmasken, rutschfreie Sicherheitsschuhe, Helme und Hörschutz vermindern persönliche Verletzungen.
- Vermeiden Sie einen versehentlichen Start des Werkzeugs. Vergewissern Sie sich, dass das Gerät ausgeschaltet ist, bevor Sie es einsteckseln. Der Transport des Geräts mit dem Finger auf dem Schalter und das Einsteckseln eingeschalteter Elektrowerkzeuge können zu Unfällen führen.
- Entfernen Sie alle Einstell- und sonstigen Schlüssel, bevor Sie das Elektrowerkzeug einschalten. Auf den rotierenden Teilen des Elektrowerkzeugs belassene Schlüssel können zu Verletzungen führen.
- Bleiben Sie innerhalb Ihres Standbereichs. Achten Sie jederzeit auf sicheren Stand und Balance. Dies ermöglicht die bessere Kontrolle des Elektrowerkzeugs in unvorhergesehenen Situationen.
- Tragen Sie geeignete Kleidung. Tragen Sie keine weite Kleidung oder Schmuck. Halten Sie Haar, Kleidung und Handschuhe fern von beweglichen Teilen. Weite Kleidung, Schmuck und langes Haar können sich in den beweglichen Teilen verfangen.

- Falls Geräte zum Absaugen und Sammeln von Staub vorhanden sind, schließen Sie diese an und verwenden Sie sie ordnungsgemäß. Die Verwendung dieser Geräte reduziert staubverbundene Gefahren.

## Verwendung und Pflege von Elektrowerkzeugen

- Überlasten Sie das Elektrowerkzeug nicht. Benutzen Sie das für die jeweilige Anwendung geeignete Elektrowerkzeug. Das richtige Werkzeug erfüllt seinen Zweck am besten und sichersten in dem Leistungsbereich, für den es hergestellt wurde.
- Verwenden Sie kein Elektrowerkzeug, das sich nicht mit dem Schalter ein- und ausschalten lässt. Jedes Elektrowerkzeug, dessen Schalter nicht funktioniert, stellt eine Gefahr dar und muss repariert werden.
- Ziehen Sie den Stecker aus der Steckdose bzw. nehmen Sie den Akku aus dem Gerät, bevor Sie Einstellungen am Elektrowerkzeug vornehmen, Zubehör wechseln oder das Gerät lagern. Diese präventiven Sicherheitsmaßnahmen reduzieren das Risiko eines versehentlichen Starts.
- Lagern Sie Elektrowerkzeuge, die nicht in Gebrauch sind, außerhalb der Reichweite von Kindern und erlauben Sie niemandem, der mit dem Betrieb oder der Bedienungsanleitung des Elektrowerkzeugs nicht vertraut ist, dieses zu benutzen. In den Händen ungeübter Benutzer sind Elektrowerkzeuge gefährlich.
- Pflegen Sie Elektrowerkzeuge. Prüfen Sie das Elektrowerkzeug auf fehlerhafte Verbindungen, festsitzende bewegliche Teile, Defekte und alle andere Bedingungen, die die Funktionsweise des Geräts beeinträchtigen können. Lassen Sie bei einer Beschädigung das Elektrowerkzeug vor dem Gebrauch reparieren. Viele Unfälle werden durch schlecht gewartete Elektrowerkzeuge verursacht.
- Halten Sie die Schneidwerkzeuge scharf und sauber. Ordentlich gewartete Schneidwerkzeuge mit scharfen Schneidkanten verhaken nicht so schnell und sind einfacher in der Handhabung.
- Verwenden Sie das Elektrowerkzeug, das Zubehör, die Werkzeugmeißel usw. gemäß diesen Anweisungen und in einer dem Verwendungszweck des Werkzeugs angemessenen Weise und beachten Sie dabei die Arbeitsbedingungen und die durchzuführende Arbeit. Die Verwendung eines Elektrowerkzeugs für Arbeitsgänge, für die es nicht konzipiert wurde, kann zu Gefahrensituationen führen.

## Verwendung und Pflege von akkubetriebenen Werkzeugen

- Vergewissern Sie sich vor dem Einsetzen des Akkusatzes, dass sich der Schalter in der Position „Aus“ (Off) befindet. Wird der Akkublock in ein Elektrowerkzeug eingesetzt, deren Schalter sich auf der Position „Ein“ (On) befindet, besteht eine erhöhte Unfallgefahr.
- Der Akku darf nur mit dem vom Hersteller angegebenen Ladegerät aufgeladen werden. Ein Ladegerät, das sich für den einen Akkutyp eignet, kann bei der Verwendung mit einem anderen Akku eine Brandgefahr darstellen.

25. **Elektrowerkzeuge dürfen nur mit den dafür speziell vorgesehenen Akkus verwendet werden.** Die Verwendung anderer Akkus kann eine Verletzungs- und Brandgefahr darstellen.
26. **Wenn der Akku nicht verwendet wird, darf er nicht in der Nähe von anderen metallischen Gegenständen wie Büroklammern, Münzen, Nägeln, Schrauben oder sonstigen metallischen Gegenständen aufbewahrt werden, da die Gefahr besteht, dass sich die Kontakte berühren.** Ein Kurzschluss bei den Akkukontakten kann Verbrennungen verursachen oder eine Brandgefahr darstellen.
27. **Bei falschem Gebrauch kann Flüssigkeit aus dem Akku austreten; vermeiden Sie in diesem Fall jeglichen Körperkontakt mit der Flüssigkeit. Wenn Sie versehentlich damit in Berührung geraten, waschen Sie die betroffene Stelle gründlich mit Wasser ab. Suchen Sie darüber hinaus einen Arzt auf, wenn die Flüssigkeit in das Auge gerät.** Die aus dem Akku austretende Flüssigkeit kann Hautreizungen oder Verbrennungen verursachen.

#### Service

28. **Lassen Sie das Elektrowerkzeug ausschließlich von Fachpersonal unter Verwendung von Originalersatzteilen warten.** Auf diese Weise ist die Sicherheit des Elektrowerkzeugs gewährleistet.
29. **Befolgen Sie die Anweisungen hinsichtlich Schmiermittel und Austauschzubehör.**
30. **Achten Sie darauf, dass die Griffe trocken, sauber und frei von Öl und Schmiermittel sind.**

## BESONDERE SICHERHEITSGELTEN

GEB002-2

Lassen Sie sich **NIE** durch Bequemlichkeit oder (aus fortwährendem Gebrauch gewonnener) Vertrautheit mit dem Gerät dazu verleiten, die Sicherheitsregeln für das Gerät zu missachten. Wenn dieses Elektrowerkzeug fahrlässig oder nicht ordnungsgemäß verwendet wird, kann es zu schweren Personenschäden kommen.

1. **Halten Sie Elektrowerkzeuge an den isolierten Griffflächen, wenn Sie unter Bedingungen arbeiten, bei denen das Schneidwerkzeug versteckte Verkablung oder das eigene Kabel berühren kann.** Der Kontakt mit einem Strom führenden Kabel leitet diesen an die metallenen Teile des Werkzeugs weiter und verursacht einen Stromschlag beim Bediener.
2. **Achten Sie jederzeit auf einen festen Stand. Achten Sie darauf, dass sich niemand unter Ihnen befindet, wenn Sie das Werkzeug an erhöhten Orten verwenden.**
3. **Halten Sie das Werkzeug mit festem Griff.**
4. **Halten Sie Ihre Hände von den beweglichen Teilen fern.**
5. **Lassen Sie das Werkzeug nicht laufen. Das Werkzeug darf nur dann in Betrieb sein, wenn es festgehalten wird.**
6. **Berühren Sie kurz nach dem Betrieb nicht den Bohreinsatz oder das Werkstück. Diese können extrem heiß sein und zu Verbrennungen führen.**

7. **Einige Materialien enthalten Chemikalien, die giftig sein können. Vermeiden Sie das Einatmen von Staub und den Kontakt mit der Haut. Befolgen Sie die Sicherheitshinweise des Materialherstellers.**

## BEWAHREN SIE DIESE ANWEISUNGEN SORGFÄLTIG AUF.

#### WARNUNG:

**MISSBRAUCH** oder Missachtung der in diesem Handbuch enthaltenen Sicherheitshinweise kann zu schweren Personenschäden führen.

## WICHTIGE SICHERHEITSGELTEN

ENC007-2

### FÜR AKKUBLOCK

1. **Lesen Sie vor der Verwendung des Akkublocks alle Anweisungen und Sicherheitshinweise für (1) das Akkuladegerät, (2) den Akku und (3) das Produkt, für das der Akku verwendet wird.**
2. **Der Akkublock darf nicht zerlegt werden.**
3. **Falls die Betriebsdauer erheblich kürzer wird, beenden Sie den Betrieb umgehend. Andernfalls besteht die Gefahr einer Überhitzung sowie das Risiko möglicher Verbrennungen und sogar einer Explosion.**
4. **Wenn Elektrolyt in Ihre Augen gerät, waschen Sie diese mit klarem Wasser aus, und suchen Sie sofort einen Arzt auf. Andernfalls können Sie Ihre Sehfähigkeit verlieren.**
5. **Vermeiden Sie einen Kurzschluss des Akkublocks:**
  - (1) **Die Kontakte dürfen nicht mit leitendem Material in Berührung kommen.**
  - (2) **Der Akkublock darf nicht in einem Behälter aufbewahrt werden, in dem sich andere metallischen Gegenstände wie beispielsweise Nägel, Münzen usw. befinden.**
  - (3) **Der Akkublock darf weder Feuchtigkeit noch Regen ausgesetzt werden. Ein Kurzschluss des Akkus kann zu hohem Kriechstrom, Überhitzung, möglichen Verbrennungen und sogar zu einer Zerstörung des Geräts führen.**
6. **Werkzeug und Akkublock dürfen nicht an Orten aufbewahrt werden, an denen die Temperatur 50°C (122°F) oder höher erreichen kann.**
7. **Selbst wenn der Akkublock schwer beschädigt oder völlig verbraucht ist, darf er nicht angezündet werden. Der Akkublock kann in den Flammen explodieren.**
8. **Lassen Sie den Akku nicht fallen, und vermeiden Sie Schläge gegen den Akku.**

# BEWAHREN SIE DIESE ANWEISUNGEN SORGFÄLTIG AUF.

## Tipps für den Erhalt der maximalen Akkumutzungsdauer

1. **Laden Sie den Akkublock auf, bevor er ganz entladen ist.**  
Beenden Sie stets den Betrieb des Werkzeugs, und laden Sie den Akkublock auf, sobald Sie eine verringerte Werkzeugleistung bemerken.
2. **Ein voll aufgeladener Akkublock darf niemals erneut geladen werden. Durch Überladungen wird die Lebensdauer des Akkus verkürzt.**
3. **Laden Sie den Akkublock bei einer Zimmertemperatur von 10°C - 40°C (50°F - 104°F) auf. Lassen Sie einen heißen Akkublock vor dem Aufladen abkühlen.**

## FUNKTIONSBESCHREIBUNG

### ACHTUNG:

- Schalten Sie das Werkzeug stets aus, und entfernen Sie den Akkublock, bevor Sie Einstellungen oder eine Funktionsprüfung des Werkzeugs vornehmen.

### Montage und Demontage des Akkublocks (Abb. 1)

- Schalten Sie das Werkzeug stets aus, bevor Sie den Akkublock einsetzen oder entfernen.
- Zur Entfernung des Akkublocks müssen Sie diesen aus dem Werkzeug herausziehen, während Sie die Taste an der Seite des Blocks schieben.
- Zum Einsetzen des Akkublocks müssen Sie die Zunge des Akkublocks an der Rille im Gehäuse ausrichten und in die gewünschte Position schieben. Setzen Sie den Block immer ganz ein, bis er mit einem Klick einrastet. Wenn Sie den roten Bereich oben auf der Taste sehen können, ist der Block nicht ganz eingerastet. Setzen Sie ihn ganz ein, bis der rote Bereich nicht mehr zu sehen ist. Andernfalls kann der Block versehentlich aus dem Werkzeug fallen und Sie oder Personen in Ihrem Umfeld verletzen.
- Wenden Sie beim Einsetzen des Akkublocks keine Gewalt an. Wenn der Block nicht leicht hineingleitet, wird er nicht richtig eingesetzt.

### Bedienung des Schalters (Abb. 2)

#### ACHTUNG:

- Achten Sie vor dem Einsetzen des Akkublocks in das Werkzeug darauf, dass sich der Ein/Aus-Schalter korrekt bedienen lässt und beim Loslassen auf die Position „OFF“ (AUS) zurückkehrt.

Betätigen Sie zum Starten des Werkzeugs einfach den Ein/Aus-Schalter. Die Drehzahl des Werkzeugs wird durch erhöhten Druck auf den Ein/Aus-Schalter gesteigert. Lassen Sie zum Ausschalten des Werkzeugs den Ein/Aus-Schalter los.

### Einschalten der Frontlampe (Abb. 3)

#### ACHTUNG:

- Schauen Sie nicht direkt in das Licht oder in die Lichtquelle.

Ziehen Sie zum Einschalten der Lampe die Auslöseschaltung. Die Lampe leuchtet so lange, wie die Auslöseschaltung gezogen ist. Nach dem Loslassen des Auslösers erlischt die Lampe nach 10 - 15 Sekunden.

#### HINWEIS:

- Wischen Sie Schmutz auf der Lampenlinse mit einem trockenen Tuch ab. Achten Sie darauf, die Lampenlinse nicht zu zerkratzen, da dies die Beleuchtungsstärke mindern kann.

### Bedienung des Umschalters (Abb. 4)

Dieses Werkzeug verfügt über einen Umschalter, mit dem die Drehrichtung geändert werden kann. Für eine Drehbewegung im Uhrzeigersinn muss der Umschalthebel von der Seite A nach unten gedrückt werden, und für eine Drehbewegung gegen den Uhrzeigersinn von der Seite B.

Wenn sich der Umschalthebel in der neutralen Position befindet, kann die Auslöseschaltung nicht gezogen werden.

#### ACHTUNG:

- Überprüfen Sie vor jedem Betrieb immer die Drehrichtung.
- Der Umschalter darf nur betätigt werden, wenn das Werkzeug ganz angehalten wurde. Wenn Sie die Drehrichtung ändern, solange das Werkzeug noch läuft, kann es beschädigt werden.
- Ist das Werkzeug nicht in Gebrauch, muss der Umschalthebel immer auf die neutrale Position gestellt werden.

### Änderung der Drehzahl (Abb. 5)


Schalten Sie zum Ändern der Drehzahl zunächst das Werkzeug aus, und schieben Sie dann den Hebel zur Änderung der Drehzahl auf „2“ (hohe Drehzahl) oder „1“ (niedrige Drehzahl). Überprüfen Sie vor dem Betrieb des Werkzeugs, ob sich der Hebel zur Änderung der Drehzahl in der richtigen Position befindet. Verwenden Sie die für Ihre Arbeit geeignete Drehzahl.


#### ACHTUNG:

- Stellen Sie den Hebel zur Änderung der Drehzahl immer ganz in die richtige Position. Wenn Sie das Werkzeug betreiben und sich dieser Hebel zwischen der Einstellung „1“ und „2“ befindet, kann das Werkzeug beschädigt werden.
- Der Hebel zur Änderung der Drehzahl darf nicht betätigt werden, solange das Werkzeug läuft. Andernfalls kann das Werkzeug beschädigt werden.

### Einstellen des Anzugsdrehmoments (Abb. 6)

Das Anzugsdrehmoment kann in 17 Stufen eingestellt werden, indem der Justierungsring so gedreht wird, dass seine Einteilungsschritte am Zeiger auf dem Werkzeugkörper ausgerichtet sind. Das Anzugsdrehmoment ist minimal eingestellt, wenn die Zahl

1 am Zeiger ausgerichtet ist, und maximal, wenn die Markierung  am Zeiger ausgerichtet ist.

Wenn eine Zahl zwischen 1 und 16 eingestellt ist, rutscht die Kupplung an verschiedenen Drehmomentstufen durch. Die Kupplung ist so konzipiert, dass sie an der Markierung  nicht durchrutscht.

Schrauben Sie vor dem eigentlichen Betrieb eine Probeschraube in Ihr Material bzw. in ein Materialduplikat, um zu ermitteln, welche Drehmomentstufe für eine bestimmte Anwendung erforderlich ist.

## MONTAGE

### ACHTUNG:

- Schalten Sie das Werkzeug stets aus, und entfernen Sie den Akkublock, bevor Sie Arbeiten am Werkzeug ausführen.

### Einsetzen oder Entfernen des Dreh- oder Bohreinsatzes (Abb. 7)

Drehen Sie den Kranz gegen den Uhrzeigersinn, um die Spannfutterbacken zu öffnen. Schieben Sie den Einsatz so weit wie möglich in das Spannfutter. Drehen Sie den Kranz im Uhrzeigersinn, um das Spannfutter anzuziehen.

Wenn Sie den Einsatz entfernen möchten, müssen Sie den Kranz gegen den Uhrzeigersinn drehen.

### Einsetzen des Werkzeughalters (Optionales Zubehör) (Abb. 8)

Setzen Sie den Werkzeughalter in den Vorsprung an der linken oder rechten Seite des Werkzeugfußes ein sichern Sie ihn mit einer Schraube.

Wenn Sie den Dreheinsatz nicht verwenden, bewahren Sie ihn in den Werkzeughaltern auf.

Einsätze bis zu einer Länge von 45 mm können dort aufbewahrt werden.

### Einhängeclip (Optionales Zubehör) (Abb. 9)

Der Einhängeclip ist nützlich, wenn Sie das Werkzeug vorübergehend aufhängen möchten.

Er kann an jeder Seite des Werkzeugs befestigt werden.

Setzen Sie den Einhängeclip zur Montage in eine Rille am Werkzeuggehäuse (die Seite ist beliebig), und befestigen Sie diesen mit einer Schraube.

Zur Entfernung müssen Sie nur die Schraube lockern und den Einhängeclip herausnehmen.

## BETRIEB

### ACHTUNG:

- Schieben Sie den Akkublock stets vollständig ein, bis er einrastet. Wenn Sie den roten Bereich oben auf der Taste sehen können, ist der Block nicht ganz eingerastet. Setzen Sie ihn ganz ein, bis der rote Bereich nicht mehr zu sehen ist. Andernfalls kann der Block versehentlich aus dem Werkzeug fallen und Sie oder Personen in Ihrem Umfeld verletzen.

Halten Sie zur besseren Kontrolle beim Drehen das Werkzeug fest mit einer Hand am Griff und der anderen Hand an der Unterseite des Akkublocks.

## Schraubendreherbetrieb (Abb. 10)

### ACHTUNG:

- Stellen Sie den Justierungsring auf die für Ihre Arbeit geeignete Drehmomentstufe.

Setzen Sie die Spitze des Dreheinsatzes in den Schraubenkopf, und üben Sie Druck auf das Werkzeug aus. Starten Sie das Werkzeug langsam, und erhöhen Sie es nach und nach die Drehzahl. Lassen Sie die Auslöseschaltung los, sobald die Kupplung greift.

### ACHTUNG:


- Vergewissern Sie sich, dass der Dreheinsatz gerade im Schraubenkopf sitzt. Andernfalls kann die Schraube und/oder der Einsatz beschädigt werden.

### HINWEIS:

- Bohren Sie beim Drehen von Holzschrauben Löcher für die Schrauben vor, damit das Drehen vereinfacht wird und das Werkstück nicht splittert. Siehe Tabelle.

| Nennendurchmesser der Holzschraube (mm) | Empfohlene Größe des vorgebohrten Lochs (mm) |
|---|--|
| 3,1                                     | 2,0 - 2,2                                    |
| 3,5                                     | 2,2 - 2,5                                    |
| 3,8                                     | 2,5 - 2,8                                    |
| 4,5                                     | 2,9 - 3,2                                    |
| 4,8                                     | 3,1 - 3,4                                    |
| 5,1                                     | 3,3 - 3,6                                    |
| 5,5                                     | 3,7 - 3,9                                    |
| 5,8                                     | 4,0 - 4,2                                    |
| 6,1                                     | 4,2 - 4,4                                    |

## Bohrbetrieb

Drehen Sie zunächst den Justierungsring so, dass der Zeiger auf die Markierung  gerichtet ist. Gehen Sie anschließend wie folgt vor.

### Bohren in Holz

Beim Bohren in Holz werden die besten Ergebnisse mit Holzbohrern erzielt, die mit einer Leitspindel ausgestattet sind. Die Leitspindel vereinfacht den Bohrprozess, indem sie den Einsatz in das Werkstück zieht.

### Bohren in Metall

Damit der Bohrer beim Beginn einer Lochbohrung nicht abrutscht, machen Sie mit einem Körner eine Einkerbung, und hämmern Sie auf den Punkt, an dem gebohrt werden soll. Setzen Sie die Spitze des Einsatzes in die Einkerbung, und starten Sie den Bohrvorgang.

Verwenden Sie beim Bohren in Metall einen Schneideschmierstoff. Ausgenommen hiervon sind Eisen und Messing; diese Metalle sollten trocken gebohrt werden.

### ACHTUNG:

- Der Bohrvorgang kann durch übermäßigen Druck auf das Werkzeug nicht beschleunigt werden. Dieser übermäßige Druck beschädigt im Gegenteil die Spitze Ihres Einsatzes, vermindert die Leistung des Werkzeugs und verkürzt dessen Lebensdauer.
- Beim Lochdurchschlag wirken enorme Kräfte auf das Werkzeug/den Einsatz. Halten Sie das Werkzeug fest,

- und seien Sie vorsichtig, wenn der Einsatz das Werkstück durchbricht.
- Ein festsitzender Einsatz kann einfach wieder herausgezogen werden, indem die Drehrichtung mit dem Umschalter geändert wird. Es kann jedoch zu einem abrupten Rückschlag des Werkzeugs kommen, wenn Sie es nicht ganz fest halten.
- Befestigen Sie kleine Werkstücke immer in einem Schraubstock oder einer ähnlichen Haltevorrichtung.
- Wenn das Werkzeug bis zur vollständigen Entladung des Akkus betrieben wurde, lassen Sie es 15 Minuten liegen, bevor Sie mit einem neuen Akku fortfahren.

## WARTUNG

### ACHTUNG:

- Schalten Sie das Werkzeug stets aus und entfernen Sie den Akkublock, bevor Sie Inspektionen oder Wartungsarbeiten am Werkzeug vornehmen.

### Ersetzen der Kohlebürsten (Abb. 11)

Ersetzen Sie diese, wenn sie bis zur Verschleißgrenze abgenutzt sind. Halten Sie die Kohlebürsten sauber und sorgen Sie dafür, dass sie locker in den Halterungen liegen.

Beide Kohlebürsten sollten gleichzeitig ersetzt werden. Verwenden Sie nur identische Kohlebürsten.

Entfernen Sie die beiden Schrauben mit einem Schraubendreher, und entfernen Sie dann die hintere Abdeckung. (Abb. 12)

Heben Sie den Federarm, und setzen Sie diesen dann mit der schlanken Spitze eines Schlitzschraubendrehers oder einem ähnlichen Gegenstand in den abgestuften Bereich des Gehäuses. (Abb. 13)

Entfernen Sie die Kohlebürstenkappen der Kohlebürsten mit einer Zange. Entnehmen Sie die verbrauchten Kohlebürsten, legen Sie die neuen ein und bringen Sie die Kohlebürstenkappen in umgekehrter Reihenfolge wieder an. (Abb. 14)

Vergewissern Sie sich, dass die Kohlebürstenkappen fest in den Öffnungen der Bürstenhalter sitzen. (Abb. 15)

Setzen Sie die hintere Abdeckung wieder ein, und ziehen Sie die beiden Schrauben fest an.

Um die SICHERHEIT und ZUVERLÄSSIGKEIT des Produkts zu gewährleisten, sollten Reparaturen, Wartungsarbeiten und Einstellungen nur durch von Makita autorisierte Servicecenter durchgeführt und immer Makita-Ersatzteile verwendet werden.

## ZUBEHÖR

### ACHTUNG:

- Für das in diesem Handbuch beschriebene Makita-Werkzeug werden folgende Zubehör- und Zusatzteile empfohlen. Die Verwendung anderer Zubehör- und Zusatzteile kann zu Personenschäden führen. Verwenden Sie Zubehör- und Zusatzteile nur für den vorgesehenen Zweck.

Informationen zu diesem Zubehör erhalten Sie bei einem Makita-Servicecenter in Ihrer Nähe.

- Bohreinsätze
- Schraubendrehereinsätze

- Werkzeughalter
- Einhängeclip
- Verschiedene Arten von Makita-Originalakkus und -Ladegeräten
- Adapter mit automatischer Aktualisierungsfunktion
- Plastiktragekoffer

### Für das Modell BDF442

#### Nur für europäische Länder

#### Geräusche und Vibrationen

ENG003-2

Der typische Schalldruck beträgt 71 dB (A).

Die Abweichung beträgt 3 dB (A).

Unter Arbeitsbedingungen kann der Schalldruck 85 dB (A) überschreiten.

#### Tragen Sie Gehörschutz.

Der typische effektive Beschleunigungswert beträgt höchstens 2,5 m/s<sup>2</sup>.

Diese Werte wurden entsprechend der Norm EN60745 gewonnen.

### Für das Modell BDF452

#### Nur für europäische Länder

#### Geräusche und Vibrationen

ENG001-2

Der typische Schalldruck beträgt 70 dB (A).

Unter Arbeitsbedingungen kann der Schalldruck 85 dB (A) überschreiten.

#### Tragen Sie Gehörschutz.

Der typische effektive Beschleunigungswert beträgt höchstens 2,5 m/s<sup>2</sup>.

Diese Werte wurden entsprechend der Norm EN60745 gewonnen.

### EG-KONFORMITÄTSERKLÄRUNG

ENH102-6

#### Modell; BDF442, BDF452

Wir erklären unter unserer alleinigen Verantwortlichkeit, dass sich dieses Produkt in Übereinstimmung mit den folgenden Normen der Normdokumente EN60745, EN55014 befindet sowie in Übereinstimmung mit den Ratsverordnungen 2004/108/EC, 98/37/EC.

CE2006



Tomoyasu Kato  
Director

Verantwortlicher Hersteller:

#### Makita Corporation

3-11-8, Sumiyoshi-cho, Anjo, Aichi, JAPAN

Autorisierte Vertretung in Europa:

#### Makita International Europe Ltd.

Michigan Drive, Tongwell, Milton Keynes, Bucks MK15 8JD, ENGLAND

**Objaśnienia do widoku ogólnego**

- |  |                          |                               |
|--|--------------------------|-------------------------------|
| 1. Czerwony element                              | 9. Skala                 | 18. Osłona tylna              |
| 2. Przycisk                                      | 10. Strzałka             | 19. Wkręty                    |
| 3. Akumulator                                    | 11. Tuleja               | 20. Gniazdo                   |
| 4. Język spustowy przełącznika                   | 12. Uchwyt na końcówki   | 21. Sprężyna                  |
| 5. Lampka  | 13. Wiertło              | 22. Ramię                     |
| 6. Dźwignia przełącznika zmiany kierunku obrotów | 14. Rowek                | 23. Nasadka szczotki węglowej |
| 7. Dźwignia zmiany prędkości                     | 15. Wkręt                | 24. Otwór                     |
| 8. Pierścień regulacyjny                         | 16. Zaczep               | 25. Nasadka szczotki węglowej |
|  | 17. Znak granicy zużycia |                               |

**DANE TECHNICZNE**

| Model   |                               | BDF442          | BDF452          |
|---|-------------------------------|-----------------|-----------------|
| Maks. średnica wiercenia                      | Stal                          | 13 mm           | 13 mm           |
|   | Drewno                        | 38 mm           | 38 mm           |
|   | Wkręt do drewna               | 6 mm x 75 mm    | 10 mm x 89 mm   |
|   | Wkręt do elementów metalowych | M6              | M6              |
| Prędkość bez obciążenia (min. <sup>-1</sup> ) | Wysoka (2)                    | 0 - 1 400       | 0 - 1 500       |
|   | Niska (1)                     | 0 - 400         | 0 - 400         |
| Całkowita długość                             |                               | 197 mm          | 197 mm          |
| Ciężar netto (z danym typem akumulatora)      |                               | 1,7 kg (BL1430) | 1,8 kg (BL1830) |
| Napięcie znamionowe                           |                               | stałe 14,4 V    | stałe 18 V      |

- Ze względu na stale prowadzone prace badawczo-rozwojowe, podane tu dane techniczne mogą ulec zmianie bez powiadomienia.
- Uwaga: W innych krajach urządzenie może mieć odmienne parametry techniczne.

**Symbole**

END001-1

Poniżej przedstawiono symbole stosowane w przypadku omawianego urządzenia. Przed przystąpieniem do używania narzędzia należy koniecznie zapoznać się z ich znaczeniem.

**Dotyczy tylko państw UE**

Nie wyrzucaj urządzeń elektrycznych wraz z odpadami z gospodarstwa domowego!

Zgodnie z Europejską Dyrektywą 2002/96/ WE w sprawie zużytego sprzętu elektrotechnicznego i elektronicznego oraz dostosowaniem jej do prawa krajowego, zużyte urządzenia elektryczne należy posegregować i zutylizować w sposób przyjazny dla środowiska.

**Przeznaczenie**

ENE034-1

Narzędzie przeznaczone jest do wiercenia w drewnie, metalu i tworzywach sztucznych oraz do wkręcania wkrętów we wspomniane materiały.

**OGÓLNE ZASADY BEZPIECZEŃSTWA**

GEA002-3

**UWAGA! Należy zapoznać się z wszystkimi zaleceniami.** Niezastosowanie się do podanych poniżej instrukcji może prowadzić do porażenia prądem elektrycznym, pożaru i/lub poważnych obrażeń ciała. Pojęcie „elektronarzędzie”, występujące we wszystkich wymienionych poniżej ostrzeżeniach, odnosi się do elektronarzędzi zasilanych z sieci energetycznej (z przewodem zasilającym) lub do elektronarzędzi akumulatorowych (bezprowodowych).

**INSTRUKCJĘ OBSŁUGI NALEŻY ZACHOWAĆ.****Bezpieczeństwo w miejscu pracy**

1. **W miejscu pracy należy utrzymywać czystość i zadbać o dobre oświetlenie.** Nieporządek i słabe oświetlenie sprzyjają wypadkom.
2. **Elektronarzędzi nie wolno używać w miejscach zagrożonych wybuchem, na przykład w obecności łatwopalnych cieczy, gazów lub pyłów.** Elektronarzędzia wytwarzają iskry, które mogą spowodować zapalenie się pyłu lub oparów.
3. **Nie należy uruchamiać elektronarzędzia, gdy w pobliżu znajdują się dzieci lub osoby postronne.** Chwila nieuwagi może spowodować utratę kontroli.

## Zasady bezpieczeństwa dotyczące urządzeń elektrycznych

4. **Wtyczka przewodu zasilającego elektronarzędzia musi pasować do gniazda elektrycznego. Nie wolno dokonywać żadnych przeróbek wtyczki. W przypadku elektronarzędzi wymagających uziemienia nie wolno stosować żadnych przejściówek.** Oryginalne wtyczki i właściwie dopasowane gniazda zmniejszają ryzyko porażenia prądem elektrycznym.
5. **Należy unikać kontaktu z powierzchniami uziemionych przedmiotów, jak rury, grzejniki, kuchenki, czy lodówki.** Gdy ciało jest uziemione, wzrasta ryzyko porażenia prądem elektrycznym.
6. **Elektronarzędzia należy chronić przed deszczem i wilgocią.** Woda, która dostanie się do środka, zwiększa ryzyko porażenia prądem elektrycznym.
7. **Przewodu zasilającego używać wyłącznie zgodnie z jego przeznaczeniem. Nie wolno wykorzystywać go do przenoszenia lub przyciągania narzędzia, ani do wyciągania wtyczki z gniazda elektrycznego. Przewód należy trzymać z dala od źródeł ciepła, oleju, ostrych krawędzi lub znajdujących się w ruchu podzespołów.** Uszkodzone lub poplątane przewody zasilające zwiększają ryzyko porażenia prądem elektrycznym.
8. **W przypadku używania elektronarzędzia na dachu należy skorzystać z przedłużacza do zastosowań zewnętrznych.** Tylko taki przedłużacz zmniejsza ryzyko porażenia prądem elektrycznym.

## Bezpieczeństwo osobiste

9. **Podczas pracy z elektronarzędziem zachować czujność, obserwować wykonywane operacje i kierować się zdrowym rozsądkiem. Nie wolno używać elektronarzędzia, gdy jest się zmęczonym albo pod wpływem narkotyków, alkoholu bądź leków.** Chwila nieuwagi podczas pracy może spowodować poważny wypadek.
10. **Używać sprzętu ochronnego. Zawsze należy nosić okulary ochronne.** Maski przeciwpylowa, buty antypoślizgowe, kask, ochraniacze na uszy używane w odpowiednich warunkach zmniejszają ryzyko doznania obrażeń.
11. **Unikać przypadkowego uruchomienia urządzenia. Przed wetknięciem wtyczki do gniazda sieciowego należy się upewnić, że urządzenie jest wyłączone.** Przenoszenie elektronarzędzia z palcem na przelączniku lub podłączenie przewodu zasilającego przy włączonym przelączniku grozi wypadkiem.
12. **Przed włączeniem elektronarzędzia należy usunąć wszelkie klucze, które były wykorzystywane do regulacji.** Klucz pozostawiony na obracającym się elemencie elektronarzędzia może spowodować poważne obrażenia ciała.
13. **Nie wolno sięgać narzędziem zbyt daleko. Stać pewnie, aby nie stracić równowagi.** Taka postawa pozwala uniknąć utraty kontroli nad narzędziem w nieoczekiwanych sytuacjach.
14. **Ubranie powinno być właściwie dobrane. Nie wolno zakładać luźnych części garderoby ani biżuterii. Włosy, ubranie i rękawice należy trzymać z dala od ruchomych części.** Luźne części ubrania, biżuteria i długie włosy mogą zostać pochwycone.

15. **Jeżeli narzędzie jest przystosowane do podłączenia urządzeń do odsysania lub odbierania pyłu, należy upewnić się, że są one prawidłowo podłączone i właściwie używane.** Wspomniane urządzenia obniżają poziom zagrożeń wynikających z zapylenia.

## Użytkowanie elektronarzędzi i dbałość o nie

16. **Elektronarzędzi nie wolno przeciążać. Używać tylko właściwego narzędzia przeznaczonego do danego zastosowania.** Pozwoli ono wykonać pracę lepiej i bezpieczniej, w przewidzianym przez projektanta tempie.
  17. **Nie wolno używać elektronarzędzia z uszkodzonym przelącznikiem zasilania.** Elektronarzędzie z uszkodzonym przelącznikiem jest niebezpieczne i wymaga naprawy.
  18. **Przed przystąpieniem do wykonywania regulacji, wymiany osprzętu lub przed odłożeniem narzędzia na swoje miejsce należy zawsze wyjąć wtyczkę przewodu zasilającego z gniazda i/lub odłączyć akumulator.** Takie działania prewencyjne zmniejszają ryzyko przypadkowego uruchomienia elektronarzędzia.
  19. **Nie używane elektronarzędzia należy chronić przed dziećmi. Nie wolno również zezwalać na korzystanie z nich osobom, które nie znają danego narzędzia albo nie zapoznały się z jego instrukcją obsługi.** Elektronarzędzia w rękach użytkowników bez przeszkolenia mogą być niebezpieczne.
  20. **O elektronarzędzia trzeba dbać. Kontrolować je pod kątem nieprawidłowego ustawienia lub zablokowania elementów ruchomych, pęknięć lub innych usterek, które mogą mieć wpływ na działanie urządzenia. W przypadku stwierdzenia uszkodzenia należy zlecić jego naprawę.** Niedbalstwo jest przyczyną wielu wypadków.
  21. **Narzędzia do cięcia powinny być zawsze czyste i naostrzone.** Właściwie konserwowane narzędzia do cięcia z ostrymi krawędziami tnącymi rzadziej się zakleszczają i łatwiej prowadzić.
  22. **Elektronarzędzie, osprzęt, końcówki robocze itp. należy stosować zgodnie z niniejszą instrukcją i w sposób właściwy dla danego typu narzędzia, mając na uwadze warunki i rodzaj pracy do wykonania.** Używanie elektronarzędzia do innych, niezgodnych z przeznaczeniem celów może stwarzać niebezpieczną sytuację.
- ## Użytkowanie narzędzi akumulatorowych i dbałość o nie
23. **Przed włożeniem akumulatora należy upewnić się, czy przelącznik znajduje się w pozycji wyłączenia.** Wkładanie akumulatora do elektronarzędzia z włączonym przelącznikiem sprzyja wypadkom.
  24. **Akumulator należy ładować wyłącznie przy użyciu ładowarki określonej przez producenta.** Ładowarka przeznaczona do jednego typu akumulatora może stwarzać zagrożenie pożarem, gdy będzie używana do ładowania innego akumulatora.
  25. **Do zasilania elektronarzędzi należy używać tylko specjalnie do tego celu przeznaczonych akumulatorów.** Używanie innych akumulatorów może grozić wypadkiem lub pożarem.



26. Gdy akumulator nie jest używany, należy chronić go przed kontaktem z metalowymi przedmiotami, typu spinacze, monety, klucze, gwoździe, wkręty lub innymi metalowymi drobiazgami, które mogą spowodować zwarcie styków akumulatora. Zwarcie styków akumulatora z kolei grozi poparzeniami lub pożarem.
27. W przypadku niewłaściwych warunków eksploatacji może dojść do wycieku elektrolitu z akumulatora; nie należy go dotykać. W razie przypadkowego kontaktu przemyć wodą. W przypadku kontaktu z oczami dodatkowo zwrócić się o pomoc lekarską. Ciecz z akumulatora może powodować podrażnienie lub poparzenia.

#### Naprawy

28. Naprawę elektronarzędzi należy zlecać wykwalifikowanemu personelowi technicznemu, który stosuje wyłącznie oryginalne części zamienne. Pozwoli to zachować niezmienny poziom bezpieczeństwa elektronarzędzia.
29. Postępować zgodnie z instrukcjami dotyczącymi smarowania i wymiany elementów wyposażenia.
30. Uchwyty powinny być zawsze suche, czyste, bez pozostałości oleju lub smaru.

## SZCZEGÓŁOWE ZASADY BEZPIECZEŃSTWA

GEB002-2

**NIE WOLNO** pozwolić, aby wygoda lub rutyna (nabyta w wyniku wielokrotnego używania narzędzia) zastąpiły ścisłe przestrzeganie obowiązujących zasad bezpieczeństwa. Używanie elektronarzędzia w sposób niebezpieczny lub niewłaściwy grozi poważnymi obrażeniami ciała.

- W przypadku wykonywania operacji, podczas których narzędzie tnące może mieć kontakt z ukrytymi przewodami elektrycznymi bądź własnym przewodem zasilającym, elektronarzędzia należy trzymać za izolowane uchwyty. Zetknięcie z przewodem elektrycznym pod napięciem spowoduje, że również odsłonięte elementy metalowe narzędzia znajdują się pod napięciem, grożąc porażeniem operatora prądem elektrycznym.
- Podczas pracy należy zadbać o dobre oparcie dla nóg.  
W przypadku pracy na pewnej wysokości upewnić się, czy przypadkiem na dole nie przebywają jakieś osoby.
- Narzędzie trzymać mocno i pewnie.
- Nie wolno zbliżać rąk do obracających się części.
- Nie wolno pozostawiać uruchomionego narzędzia. Narzędzie można uruchomić dopiero wówczas, gdy jest przytrzymywane rękoma.
- Bezpośrednio po zakończeniu pracy nie wolno dotykać wiertła ani obrabianego elementu. Mogą one być bardzo gorące, grożąc poparzeniem skóry.
- Niektóre materiały zawierają substancje chemiczne, które mogą być toksyczne. Należy zachować ostrożność, unikając wdychania pyłów i kontaktu ze skórą. Postępować zgodnie z kartą charakterystyki dostawcy materiału.

## INSTRUKCJĘ OBSŁUGI NALEŻY ZACHOWAĆ.

#### UWAGA:

**NIEWŁAŚCIWE UŻYTKOWANIE** narzędzia lub niestosowanie się do zasad bezpieczeństwa podanych w niniejszej instrukcji obsługi może prowadzić do poważnych obrażeń ciała.

## WAŻNE ZASADY BEZPIECZEŃSTWA

ENC007-2

### DOTYCZĄCE AKUMULATORA

- Przed użyciem akumulatora zapoznać się z wszystkimi zaleceniami i znakami ostrzegawczymi na (1) ładowarce, (2) akumulatorze i (3) wyrobie, w którym będzie używany akumulator.
- Akumulatora nie wolno rozbierać.
- Jeżeli czas pracy uległ znacznemu skróceniu, należy natychmiast przerwać pracę. Może bowiem dojść do przegrzania, ewentualnych poparzeń, a nawet eksplozji.
- W przypadku przedostania się elektrolitu do oczu, przemyć je wodą i niezwłocznie uzyskać pomoc lekarską. Może on bowiem spowodować utratę wzroku.
- Nie wolno zwierać akumulatora:
  - Nie dotykać styków materiałami przewodzącymi prąd.
  - Unikać przechowywania akumulatora w pojemniku z innymi metalowymi przedmiotami, typu gwoździe, monety itp.
  - Chroń akumulator przed deszczem. Zwarcie prowadzi do przepływu prądu elektrycznego o dużym natężeniu i przegrzania akumulatora, co w konsekwencji może grozić poparzeniami, a nawet awarią urządzenia.
- Narzędzia i akumulatora nie wolno przechowywać w miejscach, w których temperatura osiąga bądź przekracza 50°C.
- Akumulatorów nie wolno palić, również tych poważnie uszkodzonych lub całkowicie zużytych. W ogniu mogą one bowiem eksplodować.
- Chronić akumulator przed upadkiem i uderzeniami.

## INSTRUKCJĘ OBSŁUGI NALEŻY ZACHOWAĆ.

Wskazówki dotyczące zachowania maksymalnej trwałości akumulatora

- Akumulator naładować zanim ulegnie całkowitemu rozładowaniu.  
W przypadku stwierdzenia spadku mocy narzędzia przerwać pracę i naładować akumulator.
- Nie wolno ładować w pełni naładowanego akumulatora. Zbyt długie ładowanie skraca okres eksploatacji.
- Akumulator ładować w temperaturze mieszczącej się w przedziale 10°C - 40°C. Gdy akumulator jest

**gorący, przed przystąpieniem do jego ładowania odczekać, aż ostygnie.**

## OPIS DZIAŁANIA

### UWAGA:

- Przed przystąpieniem do regulacji lub przeglądu narzędzia upewnić się, czy jest ono wyłączone i czy został wyjęty akumulator.

### Wkładanie lub wyjmowanie akumulatora (Rys. 1)

- Przed włożeniem lub wyjęciem akumulatora należy koniecznie wyłączyć narzędzie.
- Aby wyjąć akumulator, należy przesunąć przycisk znajdujący się z boku i wysunąć akumulator.
- Aby włożyć akumulator, wystarczy wyrównać występ na akumulatorze z rowkiem w obudowie i wsunąć go na swoje miejsce. Akumulator wsunąć do oporu, aż wskoczy na swoje miejsce, co jest sygnalizowane delikatnym kliknięciem. Jeżeli element w kolorze czerwonym w górnej części przycisku jest widoczny, akumulator nie został całkowicie zablokowany. Należy go wsunąć do oporu, aż czerwony element przestanie być widoczny. W przeciwnym razie może przypadkowo wypaść z narzędzia, raniąc operatora lub osoby postronne.
- Przy wkładaniu akumulatora nie wolno używać siły. Jeżeli akumulator nie wchodzi swobodnie, nie został prawidłowo włożony.

### Mechanizm przełącznika (Rys. 2)

#### UWAGA:

- Przed włożeniem akumulatora do narzędzia należy zawsze sprawdzić, czy język spustowy przełącznika działa prawidłowo i po zwolnieniu powraca do pozycji „OFF” (wyłączone).

Aby uruchomić narzędzie, należy pociągnąć za język spustowy przełącznika. Prędkość narzędzia rośnie wraz ze zwiększaniem nacisku na język spustowy. W celu zatrzymania urządzenia wystarczy zwolnić język spustowy przełącznika.

### Zapalanie lampki czołowej (Rys. 3)

#### UWAGA:

- Nie wolno zaglądać do lampki lub kierować wzroku bezpośrednio na źródło światła.

W celu zapalenia lampki należy pociągnąć za język spustowy. Lampka świeci dopóki język spustowy przełącznika jest naciskany. Lampka gaśnie po 10 – 15 sekundach od momentu zwolnienia języka spustowego.

#### UWAGA:

- Do czyszczenia soczewki lampki powinno się używać suchej szmatki. Należy przy tym zachować ostrożność, aby nie porysować powierzchni soczewki lampki, gdyż można w ten sposób zmniejszyć natężenie światła.

### Mechanizm zmiany kierunku obrotów (Rys. 4)

Omawiane narzędzie jest wyposażone w przełącznik umożliwiający zmianę kierunku obrotów. W celu uzyskania obrotów zgodnych z ruchem wskazówek

zegara należy nacisnąć dźwignię przełącznika zmiany kierunku obrotów po stronie A, natomiast by uzyskać obroty przeciwnie do ruchu wskazówek zegara, wystarczy nacisnąć dźwignię przełącznika po stronie B.

Gdy dźwignia przełącznika zmiany kierunku obrotów znajduje się w położeniu neutralnym, język spustowy przełącznika jest zablokowany.

#### UWAGA:

- Przed uruchomieniem narzędzia należy zawsze sprawdzić ustawienie kierunku obrotów.
- Kierunek obrotów można zmieniać tylko wówczas, gdy urządzenie całkowicie się zatrzyma. Zmiana kierunku obrotów przed zatrzymaniem się narzędzia grozi jego uszkodzeniem.
- Gdy narzędzie nie będzie używane, należy zawsze ustawić dźwignię przełącznika zmiany kierunku obrotów w położeniu neutralnym.

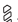
### Zmiana prędkości obrotowej (Rys. 5)


Aby zmienić prędkość, najpierw wyłącz narzędzie, a następnie przesunąć dźwignię zmiany prędkości do pozycji „2”, aby uzyskać wysoką prędkość, lub do pozycji „1”, aby uzyskać niską prędkość. Przed przystąpieniem do pracy upewnić się, czy dźwignia zmiany prędkości obrotowej jest ustawiona we właściwej pozycji. Do wykonania konkretnego zadania używaj właściwej prędkości.

#### UWAGA:

- Dźwignię zmiany prędkości należy zawsze ustawiać dokładnie w wybranej pozycji. W przypadku uruchomienia narzędzia przy dźwigni zmiany prędkości ustawionej w połowie między pozycją „1” i „2” może dojść do uszkodzenia narzędzia.
- Nie wolno korzystać z dźwigni zmiany prędkości, gdy narzędzie jest w ruchu. Narzędzie może bowiem ulec uszkodzeniu.

### Regulacja momentu dokręcania (Rys. 6)

Moment dokręcania można regulować w zakresie 17 ustawień poprzez obrót pierścienia regulacyjnego w taki sposób, aby wybrane ustawienie na pierścieniu pokryło się ze strzałką na obudowie narzędzia. Moment dokręcania ma wartość minimalną, gdy strzałka wskazuje numer 1, a maksymalną po wyrównaniu strzałki ze znakiem .

Sprzęgło ślizga się przy różnych wartościach momentu dla ustawień od 1 do 16. Jego konstrukcja powoduje, że nie ślizga się przy ustawieniu na .

Przed przystąpieniem do pracy należy przeprowadzić próbę wkręcania w dany element lub inny element z tego samego materiału, aby ustalić poziom momentu obrotowego wymagany w danym zastosowaniu.

## MONTAŻ

#### UWAGA:

- Przed przystąpieniem do jakichkolwiek czynności związanych z obsługą narzędzia należy koniecznie upewnić się, czy jest ono wyłączone i czy akumulator został wyjęty.

## Montaż i demontaż wiertła lub końcówki do wkręcania (Rys. 7)

Obrót tuleję w kierunku przeciwnym do ruchu wskazówek zegara, aby rozsunąć szczęki uchwytu. Wsuń do oporu końcówkę do uchwytu wiertarskiego. W celu zaciśnięcia końcówki w uchwycie obrót tuleję w kierunku zgodnym z ruchem wskazówek zegara.

Aby wyjąć końcówkę obrót tuleję w kierunku przeciwnym do ruchu wskazówek zegara.

## Montaż uchwytu na końcówki (wyposażenie opcjonalne) (Rys. 8)

Wpasuj uchwyt na końcówki w występ w stopie narzędzia z prawej bądź z lewej strony i przymocuj go wkrętem.

Jeżeli końcówka do wkręcania nie jest używana, należy trzymać ją w uchwycie.

Można w nim przechowywać końcówki o długości 45 mm.

## Zaczep (wyposażenie opcjonalne) (Rys. 9)

Zaczep ten służy do chwilowego zawieszania narzędzia.

Można go zamontować z jednej lub z drugiej strony narzędzia.

Aby zamontować zaczep, wsuń go w rowek w obudowie znajdujący się z obu stron, a następnie przykręć go wkrętem.

Aby zdemontować zaczep, poluzuj wkręt i ściągnij zaczep.

## OBSŁUGA

### UWAGA:

- Akumulator należy wsunąć do oporu, aż wskoczy na swoje miejsce. Jeżeli element w kolorze czerwonym w górnej części przycisku jest widoczny, akumulator nie został całkowicie zablokowany. Należy go wsunąć do oporu, aż czerwony element przestanie być widoczny. W przeciwnym razie może przypadkowo wypaść z narzędzia, raniąc operatora lub osoby postronne.

Trzymaj narzędzie mocno za uchwyt jedną dłonią, a drugą za spód akumulatora, aby nie dopuścić do obracania się narzędzia.

## Operacja wkręcania (Rys. 10)

### UWAGA:

- Ustaw pierścien regulacyjny w pozycji odpowiadającej właściwemu dla danej operacji momentowi.

Wsuń ostrze końcówki do wkręcania do gniazda we łbie wkrętu i dociśnij narzędzie. Uruchom narzędzie powoli, a następnie stopniowo zwiększaj prędkość. Gdy tylko sprzęgło zadziała, zwolnij język spustowy przełącznika.

### UWAGA:

- Końcówka do wkręcania powinna być prostopadła do łba wkrętu, w przeciwnym razie wkręt i/lub końcówka mogą ulec uszkodzeniu.


### UWAGA:

- W przypadku osadzania wkrętów w drewnie należy wcześniej ponawierać otwory prowadzące. Ułatwiają

one wkręcanie i zapobiegają pękaniu elementu. Zapoznaj się z tabelą.

| Nominalna średnica wkrętu do drewna (mm) | Zalecany rozmiar otworu prowadzącego (mm) |
|--|---|
| 3,1                                      | 2,0 - 2,2                                 |
| 3,5                                      | 2,2 - 2,5                                 |
| 3,8                                      | 2,5 - 2,8                                 |
| 4,5                                      | 2,9 - 3,2                                 |
| 4,8                                      | 3,1 - 3,4                                 |
| 5,1                                      | 3,3 - 3,6                                 |
| 5,5                                      | 3,7 - 3,9                                 |
| 5,8                                      | 4,0 - 4,2                                 |
| 6,1                                      | 4,2 - 4,4                                 |

## Operacja wiercenia

Najpierw obrót pierścien regulacyjny tak, aby strzałka wskazywała znak . Następnie postępuj zgodnie z poniższym opisem.

### Wiercenie w drewnie

W przypadku wiercenia w drewnie najlepsze rezultaty uzyskuje się stosując wiertła zakończone wkrętem prowadzącym. Wkręt prowadzący ułatwia wiercenie, ponieważ wciąga wiertło w nawiercany element.

### Wiercenie w metalu

Aby uniknąć ześlizgiwania się wiertła na początku operacji, za pomocą punktaka i młotka wykonać wgłębienie w miejscu, w którym ma być wykonany otwór. Ustawić końcówkę wiertła we wgłębieniu i rozpocząć wiercenie.

W przypadku wiercenia w metalach należy stosować płyn obróbkowy. Wyjątek stanowią żelazo i mosiądz, w których wierce się na sucho.

### UWAGA:

- Nadmierne dociskanie narzędzia nie przyspiesza operacji wiercenia. Zbyt duży docisk może się tylko przyczynić do uszkodzenia ostrza wiertła, obniżenia wydajności narzędzia i skrócenia czasu jego eksploatacji.
- W momencie przebijania otworu na narzędzie/wiertło wywierana jest olbrzymia siła. Gdy wiertło zaczyna przebijać na wylot otwór w elemencie, należy zachować ostrożność i mocno trzymać narzędzie.
- Zakleszczone wiertło można w prosty sposób wyciągnąć z otworu, zmieniając za pomocą przełącznika kierunek obrotów i wykręcając je. Podczas wycofywania narzędzia mogą jednak wystąpić problemy z jego opanowaniem, jeżeli nie będzie mocno przytrzymywane.
- Małe elementy należy koniecznie mocować w imadle lub podobnym uchwycie.
- Jeżeli narzędzie jest używane bez przerwy aż do rozładowania akumulatora, należy je odstawić na 15 minut, zanim praca zostanie podjęta na nowo z użyciem innego naładowanego akumulatora.

# KONSERWACJA

## UWAGA:

- Przed przystąpieniem do przeglądu narzędzia lub jego konserwacji upewnij się, czy jest ono wyłączone i czy akumulator został wyjęty.

## Wymiana szczotek węglowych (Rys. 11)

Potrzebę wymiany szczotek sygnalizuje znak granicy zużycia. Szczotki węglowe powinny być czyste, aby można je było swobodnie wsunąć do opraw.

Obie szczotki węglowe wymieniać równocześnie. Używać wyłącznie identycznych szczotek węglowych.

Za pomocą śrubokręta wykręć dwie śruby, następnie ściągnij tylną osłonę. (Rys. 12)

Korzystając z cienkiego śrubokręta płaskiego lub podobnego przyrządu unieść ramię sprężyny, a następnie wsunąć je w gniazdo w obudowie. (Rys. 13)

Używając szczypiec ściągnąć nasadki szczotek węglowych. Wyjąć zużyte szczotki węglowe, wsadzić nowe i ponownie założyć nasadki szczotek, wykonując czynności w odwrotnej kolejności. (Rys. 14)

Należy upewnić się, że nasadki szczotek węglowych dobrze tkwią w otworach uchwytów szczotek. (Rys. 15)

Zamontuj ponownie osłonę tylną, a następnie dobrze dokręć oba wkręty.

W celu zachowania odpowiedniego poziomu BEZPIECZEŃSTWA i NIEZAWODNOŚCI w wyrobu, wszelkie naprawy i różnego rodzaju prace konserwacyjne lub regulacje powinny być przeprowadzane przez autoryzowany punkt serwisowy narzędzi Makita, zawsze z użyciem oryginalnych części zamiennych Makita.

# WYPOSAŻENIE DODATKOWE

## UWAGA:

- Z opisywanym tu narzędziem marki Makita współpracują zalecane poniżej akcesoria i przystawki. Stosowanie innych akcesoriów lub przystawek grozi obrażeniami ciała. Akcesoria lub przystawki należy wykorzystywać wyłącznie do celów, do których zostały przeznaczone.

Więcej szczegółów na temat podanego wyposażenia dodatkowego można uzyskać w miejscowym punkcie serwisowym narzędzi Makita.

- Wiertła
- Końcówki do wkrętów
- Uchwyt na końcówki
- Zaczep
- Różne typy oryginalnych akumulatorów i ładowarek marki Makita
- Adapter automatycznej regeneracji
- Walizka z tworzywa

## W przypadku modelu BDF442

### Dotyczy tylko krajów europejskich

#### Poziom hałas i drgań

ENG003-2

Typowy poziom A ciśnienia akustycznego wynosi 71 dB (A).

Niepewność wynosi 3 dB (A).

Poziom hałas podczas pracy może przekraczać 85 dB (A).

#### Stosować ochraniacze na uszy.

Typowa ważona średnia kwadratowa przyspieszenia nie przekracza wartości 2,5 m/s<sup>2</sup>.

Powyższe wartości uzyskano w oparciu o normę EN60745.

## W przypadku modelu BDF452

### Dotyczy tylko krajów europejskich

#### Poziom hałas i drgań

ENG001-2

Typowy poziom A ciśnienia akustycznego wynosi 70 dB (A).

Poziom hałas podczas pracy może przekraczać 85 dB (A).

#### Stosować ochraniacze na uszy.

Typowa ważona średnia kwadratowa przyspieszenia nie przekracza wartości 2,5 m/s<sup>2</sup>.

Powyższe wartości uzyskano w oparciu o normę EN60745.

## DEKLARACJA UE ZGODNOŚCI ELEKTROMAGNETYCZNEJ

ENH102-6

### Model: BDF442, BDF452

Oświadczamy na własną odpowiedzialność, że opisany tu wyrób jest zgodny z następującymi normami dokumentów normalizacyjnych:

EN60745, EN55014 zgodnie z Dyrektywami Rady, 2004/108/EC, 98/37/EC.

CE2006



Tomoyasu Kato  
Dyrektor

Odpowiedzialny producent:

### Makita Corporation

3-11-8, Sumiyoshi-cho, Anjo, Aichi, JAPAN

Autoryzowany przedstawiciel na Europę:

### Makita International Europe Ltd.

Michigan Drive, Tongwell, Milton Keynes, Bucks MK15 8JD, WIELKA BRYTANIA

**Пояснения к общему виду**

- |                             |                           |                             |
|-----------------------------|---------------------------|-----------------------------|
| 1. Красная часть            | 10. Указатель             | 19. Винты                   |
| 2. Кнопка                   | 11. Патрон                | 20. Углубленная часть       |
| 3. Блок аккумулятора        | 12. Держатель бит         | 21. Пружина                 |
| 4. Курковый выключатель     | 13. Сверло                | 22. Ручка                   |
| 5. Лампа                    | 14. Паз                   | 23. Колпачок угольной щетки |
| 6. Рычаг обратного хода     | 15. Винт                  | 24. Отверстие               |
| 7. Рычаг изменения скорости | 16. Крючок                | 25. Колпачок угольной щетки |
| 8. Регулировочное кольцо    | 17. Ограничительная метка |                             |
| 9. Градуированная шкала     | 18. Задняя крышка         |                             |

**ТЕХНИЧЕСКИЕ ХАРАКТЕРИСТИКИ**

| Модель                                     |                        | BDF442            | BDF452          |
|--|------------------------|-------------------|-----------------|
| Эксплуатационные возможности               | Сталь                  | 13 мм             | 13 мм           |
|  | Древесина              | 38 мм             | 38 мм           |
|  | Шурупы для дерева      | 6 мм x 75 мм      | 10 мм x 89 мм   |
|  | Мелкие крепежные винты | M6                | M6              |
| Скорость без нагрузки (мин <sup>-1</sup> ) | Высокая (2)            | 0 - 1400          | 0 - 1500        |
|  | Низкая (1)             | 0 - 400           | 0 - 400         |
| Общая длина                                |                        | 197 мм            | 197 мм          |
| Вес нетто (с аккумуляторным блоком)        |                        | 1,7 кг (BL1430)   | 1,8 кг (BL1830) |
| Расчетное напряжение                       |                        | 14,4 В пост. тока | 18 В пост. тока |

- Благодаря нашей постоянно действующей программе исследований и разработок, указанные здесь технические характеристики могут быть изменены без предварительного уведомления.
- Примечание: Технические характеристики могут отличаться в зависимости от страны.

**Символы** END001-1  
 Ниже приведены символы, используемые для данного электроинструмента. Перед использованием убедитесь, что вы понимаете их значение.



**Только для стран ЕС**  
 Не выкидывайте электрическое оборудование вместе с обычным мусором!

В соответствии с европейской директивой 2002/96/EG об утилизации старого электрического и электронного оборудования и её применения в соответствии с местными законами электрическое оборудование, бывшее в эксплуатации, должно утилизироваться отдельно безопасным для окружающей среды способом.

**Назначение** ENE034-1  
 Инструмент предназначен для сверления и закручивания шурупов и винтов в дереве, металле и пластике.

**ОБЩИЕ ПРАВИЛА ТЕХНИКИ БЕЗОПАСНОСТИ**

GEA002-3

**ПРЕДОСТЕРЕЖЕНИЕ! Прочитайте полностью все инструкции.** Несоблюдение всех инструкций, указанных ниже, может привести к поражению электрическим током, пожару и/или серьезной травме. Термин "электроинструмент" во всех предупреждениях, указанных ниже, относится ко всему инструменту, работающему от сети или на аккумуляторах.

**СОХРАНИТЕ ДАННЫЕ ИНСТРУКЦИИ.**

- Безопасность в месте выполнения работ**
1. **Поддерживайте чистоту и обеспечивайте хорошую освещенность на рабочем месте.** Захламленное и темное рабочее место способствует несчастным случаям и травмам.
  2. **Не пользуйтесь электроинструментом во взрывоопасной атмосфере, например, в присутствии легко воспламеняющихся жидкостей, газов или пыли.** При работе электроинструмента возникают искры, которые могут привести к воспламенению пыли или газов.
  3. **При работе с электроинструментом не допускайте детей или посторонних к месту производства работ.** Не отвлекайтесь во время

работы, так как это приведет к потере контроля над электроинструментом.

#### **Электробезопасность**

4. **Вилка электроинструмента должна соответствовать сетевой розетке. Никогда не вносите никаких изменений в конструкцию вилки и/или розетки. При использовании электроинструмента с заземлением не используйте переходники.** Розетки и вилки, не подвергавшиеся изменениям, снижают риск поражения электрическим током.
5. **Избегайте контакта участков тела с заземленными поверхностями, такими как трубы, радиаторы, батареи отопления и холодильники.** При контакте вашего тела с заземленными предметами увеличивается риск поражения электрическим током.
6. **Не подвергайте электроинструмент воздействию дождя или сырости.** Попадание воды на электроинструмент повышает риск поражения электрическим током.
7. **Аккуратно обращайтесь со шнуром питания. Никогда не используйте шнур питания для переноски, перемещения или извлечения вилки из розетки. Располагайте шнур на расстоянии от источников тепла, масла, острых краев и движущихся деталей.** Поврежденные или запутанные сетевые шнуры увеличивают риск поражения электрическим током.
8. **При эксплуатации электроинструмента вне помещения, используйте удлинитель, подходящий для работы на открытом воздухе.** Использование соответствующего шнура снижает риск поражения электрическим током.

#### **Личная безопасность**

9. **При использовании электроинструмента будьте бдительны, следите за тем, что вы делаете, и руководствуйтесь здравым смыслом. Не пользуйтесь электроинструментом, если вы устали, находитесь под воздействием наркотиков, алкоголя или лекарственных препаратов.** Даже мгновенная невнимательность при использовании электроинструмента может привести к серьезной травме.
10. **Используйте средства индивидуальной защиты. Всегда надевайте защитные очки.** Средства индивидуальной защиты, такие как маска от пыли, защитная нескользящая обувь, каска или наушники, используемые в соответствующих условиях, позволят снизить риск получения травмы.
11. **Избегайте случайного запуска. Перед включением вилки в розетку убедитесь, что выключатель инструмента выключен.** Переноска электроинструмента с пальцем на выключателе или включение вилки в розетку с включенным выключателем инструмента может привести к несчастному случаю.
12. **Перед включением электроинструмента снимите с него все регулировочные инструменты и гаечные ключи. Гаечный или**

регулировочный ключ, оставшийся закрепленным на вращающейся детали, может привести к травме.

13. **При эксплуатации инструмента соблюдайте устойчивое положение и не тянитесь. Всегда сохраняйте устойчивое положение ног и равновесие.** Это позволит лучше управлять электроинструментом в непредвиденных ситуациях.
14. **Одевайтесь соответствующим образом. Не надевайте свободную одежду или украшения. Ваши волосы, одежда и перчатки должны всегда находиться на расстоянии от вращающихся деталей.** Свободная одежда, украшения или длинные волосы могут попасть в движущиеся детали устройства.
15. **Если электроинструмент оборудован системой удаления пыли, убедитесь, что она подключена к общей системе пылеудаления.** Использование таких систем позволяет избежать вредного влияния пыли.

#### **Использование электроинструмента и уход за ним**

16. **Не прилагайте излишних усилий к электроинструменту. Используйте инструмент, соответствующий выполняемой вами работе.** Правильно подобранный электроинструмент позволит выполнить работу лучше и безопаснее с производительностью, на которую он рассчитан.
17. **Не пользуйтесь электроинструментом с неисправным выключателем.** Любой электроинструмент с неисправным выключателем опасен и должен быть отремонтирован.
18. **Перед выполнением регулировок, сменой принадлежностей и приспособлений или хранением электроинструмента всегда отключайте его от источника питания и/или от аккумулятора.** Такие превентивные меры предосторожности снижают риск случайного включения электроинструмента.
19. **Храните электроинструменты в местах, недоступных для детей, и не позволяйте пользоваться инструментом лицам, не знакомым с его работой или не прочитавшим данные инструкции.** Электроинструмент опасен в руках неопытных пользователей.
20. **Сохраняйте инструмент в порядке. Убедитесь в соосности, отсутствии деформаций движущихся узлов, поломок каких либо деталей или других дефектов, которые могут повлиять на работу электроинструмента. Если инструмент поврежден, отремонтируйте его перед использованием.** Большое число несчастных случаев происходит из-за плохого содержания электроинструмента.
21. **Режущий инструмент всегда должен быть острым и чистым.** Соответствующее обращение с режущим инструментом, имеющим острые режущие крошки, делает его менее подверженным деформациям, что позволяет лучше управлять им.
22. **Используйте электроинструмент, принадлежности, приспособления и насадки в соответствии с данными инструкциями и в**

целях, для которых он предназначен, учитывая при этом условия и вид выполняемой работы. Использование электроинструмента для действий, отличающихся от тех, для которых он предназначен, может привести к созданию опасной ситуации.

**Использование электроинструмента, работающего на аккумуляторах, и уход за ним**

23. **Перед установкой аккумуляторного блока убедитесь, что выключатель находится в выключенном положении.** Установка аккумуляторного блока в инструмент с включенным выключателем может привести к несчастному случаю.
24. **Заряжайте аккумулятор только зарядным устройством, указанным изготовителем.** Зарядное устройство, подходящее для одного типа аккумуляторов, может привести к пожару при его использовании с другим аккумуляторным блоком.
25. **Используйте электроинструмент только с указанными аккумуляторными блоками.** Использование других аккумуляторных блоков может привести к травме или пожару.
26. **Когда аккумуляторный блок не используется, храните ее отдельно от металлических предметов, таких как скрепки, монеты, ключи, гвозди, шурупы или другие небольшие металлические предметы, которые могут привести к закорачиванию контактов аккумуляторного блока между собой.** Закорачивание контактов аккумуляторного блока может привести к ожогам или пожару.
27. **При неправильном обращении из аккумуляторного блока может потечь жидкость. Избегайте контакта с ней. В случае контакта с кожей промойте место контакта обильным количеством воды. В случае попадания в глаза, обратитесь к врачу.** Жидкость из аккумуляторного блока может вызвать раздражение или ожоги.

**Обслуживание**

28. **Обслуживание электроинструмента должно проводиться только квалифицированным специалистом по ремонту и только с использованием идентичных запасных частей.** Это позволит обеспечить безопасность электроинструмента.
29. **Следуйте инструкциям по смазке и замене принадлежностей и приспособлений.**
30. **Ручки инструмента всегда должны быть сухими и чистыми и не должны быть измазаны маслом или смазкой.**

## **СПЕЦИФИЧЕСКИЕ ПРАВИЛА ТЕХНИКИ БЕЗОПАСНОСТИ** GEB002-2

**НЕ ДОПУСКАЙТЕ**, чтобы удобство или опыт эксплуатации данного устройства (полученный от многократного использования) доминировали над строгим соблюдением правил техники безопасности. Нарушение техники безопасности или неправильное использование данного

электроинструмента могут привести к серьезным травмам.

1. **Если при выполнении работ существует риск контакта режущего инструмента со скрытой электропроводкой или собственным шнуром питания, держите электроинструменты за специально предназначенные заземленные поверхности.** Контакт с проводом под напряжением приведет к тому, что металлические детали инструмента также будут под напряжением, что приведет к поражению оператора электрическим током.
2. **При выполнении работ всегда занимайте устойчивое положение.** При использовании инструмента на высоте убедитесь в отсутствии людей внизу.
3. **Крепко держите инструмент.**
4. **Руки должны находиться на расстоянии от вращающихся деталей.**
5. **Не оставляйте работающий инструмент без присмотра.** Включайте инструмент только тогда, когда он находится в руках.
6. **Сразу после окончания работ не прикасайтесь к бите или детали.** Они могут быть очень горячими, что приведет к ожогам кожи.
7. **Некоторые материалы могут содержать токсичные химические вещества.** Примите соответствующие меры предосторожности, чтобы избежать вдыхания таких веществ или их контакта с кожей. Соблюдайте требования, указанные в паспорте безопасности материала.

## **СОХРАНИТЕ ДАННЫЕ ИНСТРУКЦИИ.**

**ПРЕДОСТЕРЕЖЕНИЕ:**

**НЕПРАВИЛЬНОЕ ИСПОЛЬЗОВАНИЕ** инструмента или несоблюдение правил техники безопасности, указанных в данном руководстве, может привести к тяжелой травме.

## **ИНСТРУКЦИИ ПО ТЕХНИКЕ БЕЗОПАСНОСТИ**

ENC007-2

### **ДЛЯ АККУМУЛЯТОРНОГО БЛОКА**

1. **Перед использованием аккумуляторного блока прочитайте все инструкции и предупреждающие надписи на (1) зарядном устройстве, (2) аккумуляторном блоке и (3) инструменте, работающем от аккумуляторного блока.**
2. **Не разбирайте аккумуляторный блок.**
3. **Если время работы аккумуляторного блока значительно сократилось, немедленно прекратите работу.** В противном случае, может возникнуть перегрев блока, что приведет к ожогам и даже к взрыву.
4. **В случае попадания электролита в глаза, промойте их обильным количеством чистой**

воды и немедленно обратитесь к врачу. Это может привести к потере зрения.

5. **Не замыкайте контакты аккумуляторного блока между собой:**
  - (1) **Не прикасайтесь к контактам какими либо токопроводящими предметами.**
  - (2) **Избегайте хранить аккумуляторный блок в контейнере вместе с другими металлическими предметами, такими как гвозди, монеты и т. п.**
  - (3) **Не допускайте попадания на аккумуляторный блок воды или дождя. Замыкание контактов аккумуляторного блока между собой может привести к возникновению большого тока, перегреву, возможным ожогам и даже разрыву блока.**
6. **Не храните инструмент и аккумуляторный блок в местах, где температура может достигать или превышать 50°C (122°F).**
7. **Не бросайте аккумуляторный блок в огонь, даже если он сильно поврежден или полностью вышел из строя. Аккумуляторный блок может взорваться под действием огня.**
8. **Не роняйте и не ударяйте аккумуляторный блок.**

## СОХРАНИТЕ ДАННЫЕ ИНСТРУКЦИИ.

Советы по обеспечению максимального срока службы аккумуляторного блока

1. **Заряжайте аккумуляторный блок до того, как он полностью разрядится. В случае потери мощности при эксплуатации инструмента прекратите работу и зарядите аккумуляторный блок.**
2. **Никогда не заряжайте полностью заряженный аккумуляторный блок. Перезарядка сокращает срок службы блока.**
3. **Заряжайте аккумуляторный блок при комнатной температуре в пределах от 10°C до 40°C (от 50°F до 104°F). Перед зарядкой дайте горячему аккумуляторному блоку остыть.**

## ОПИСАНИЕ ФУНКЦИЙ

### ПРЕДУПРЕЖДЕНИЕ:

- Перед регулировкой или проверкой функций инструмента обязательно убедитесь, что он выключен и аккумуляторный блок снят с инструмента.

### Установка или снятие

#### аккумуляторного блока (Рис. 1)

- Перед установкой или снятием аккумуляторного блока всегда выключайте инструмент.
- Для снятия аккумуляторного блока сдвиньте клавишу на боковой стороне блока и снимите блок с инструмента.
- Для установки блока аккумуляторной батареи совместите выступ блока с пазом в корпусе и подайте блок на место. При установке подайте

блок так, чтобы послушался щелчок. Если вы можете видеть красную часть верхней части клавиши, аккумуляторный блок не полностью установлен на месте. Подайте блок до конца так, чтобы красная полоска не была видна. В противном случае, блок может выпасть из инструмента и травмировать либо вас, либо находящихся рядом людей.

- Не прилагайте усилий при установке аккумуляторного блока. Если блок не двигается свободно, это свидетельствует о его неправильной установке.

### Включение (Рис. 2)

#### ПРЕДУПРЕЖДЕНИЕ:

- Перед установкой аккумуляторного блока в инструмент обязательно убедитесь, что его курковый выключатель нормально работает и возвращается в положение "OFF" (ВЫКЛ) при отпускании.

Для включения инструмента достаточно просто нажать на курковый выключатель. Для увеличения числа оборотов нажмите на курковый выключатель сильнее. Для остановки инструмента отпустите курковый выключатель.

### Включение лампы освещения (Рис. 3)

#### ПРЕДУПРЕЖДЕНИЕ:

- Не смотрите на источник освещения и не допускайте прямого попадания света в глаза.

Нажмите на курковый выключатель для включения лампы. Лампа будет светиться до тех пор, пока выключатель будет оставаться в нажатом положении. Лампа гаснет через 10 - 15 секунд после отпускания выключателя.

#### ПРИМЕЧАНИЕ:

- Для удаления пыли с линзы лампы используйте сухую ткань. Не допускайте возникновения царапин на линзе лампы, так как это приведет к снижению освещенности.

### Переключение направления вращения (Рис. 4)

Этот инструмент оборудован переключателем направления вращения. Нажмите на рычажной переключатель со стороны А для вращения по часовой стрелке, или со стороны В для вращения против часовой стрелки.

Когда переключатель направления вращения находится в нейтральном положении, курковый выключатель не может быть нажат.

#### ПРЕДУПРЕЖДЕНИЕ:

- Перед началом работ всегда проверяйте направление вращения.
- Используйте переключатель направления вращения только после полной остановки инструмента. Изменение направления вращения перед остановкой инструмента может привести к его поломке.



- Если инструмент не используется, установите переключатель направления вращения в нейтральное положение.

## Изменение скорости (Рис. 5)

Для изменения скорости сначала выключите инструмент и затем сдвиньте рычаг изменения скорости в положение "2" для большой скорости или в положение "1" для маленькой скорости вращения. Перед началом работ убедитесь в правильном положении рычага выбора числа оборотов. При выполнении работ выбирайте правильное число оборотов.

### ПРЕДУПРЕЖДЕНИЕ:

- Всегда устанавливайте рычаг изменения скорости в правильное положение до конца. Если вы будете пользоваться инструментом при рычаге переключения скорости, установленном между положением "1" и "2", это может привести к поломке инструмента.
- Не пользуйтесь рычагом изменения скорости во время работы инструмента. Это может привести к поломке инструмента.

## Регулирование усилия затяжки (Рис. 6)

Усилие затяжки может быть отрегулировано на одно из 17 положений путем поворота регулировочного кольца так, чтобы одна из его градуировок совпала со стрелкой на корпусе инструмента. Минимальное усилие затяжки будет при совмещении со стрелкой цифры 1, максимальное усилие будет при совмещении со стрелкой маркировки  $\frac{1}{2}$ .

Муфта будет проскальзывать при различных усилиях затяжки, установленных на значение от 1 до 16.

Муфта не будет проскальзывать при совмещении со стрелкой метки  $\frac{1}{2}$ .

Перед выполнением работы сначала закрутите пробный шуруп в материал или в деталь из подобного материала для определения усилия затяжки, соответствующего выполняемой работе.

## СБОРКА

### ПРЕДУПРЕЖДЕНИЕ:

- Перед выполнением каких либо работ на инструменте обязательно убедитесь, что он выключен и аккумуляторный блок снят с инструмента.

## Установка и снятие биты отвертки или сверла (Рис. 7)

Поверните патрон против часовой стрелки для открытия щечек патрона. Вставьте биту в зажимной патрон до упора. Поверните патрон по часовой стрелке для затягивания патрона.

Для снятия биты, поверните патрон против часовой стрелки.

## Установка держателя бит (поставляется отдельно) (Рис. 8)

Установите держатель бит в отверстие в основании инструмента с правой или левой стороны и закрепите его при помощи винта.

Если бита отвертки не используется, храните ее в держателе бит.

Здесь могут храниться биты длиной до 45 мм.

## Крючок (поставляется отдельно) (Рис. 9)

Крючок используется для временного подвешивания инструмента.

Он может быть установлен с любой стороны инструмента.

Для установки крючка, вставьте его в паз в корпусе инструмента с одной из сторон и закрепите его при помощи винта.

Для снятия крючка, отверните винт и снимите крючок.

## ЭКСПЛУАТАЦИЯ

### ПРЕДУПРЕЖДЕНИЕ:

- Всегда устанавливайте блок до упора так, чтобы он зафиксировался на месте. Если вы можете видеть красную часть верхней части клавиши, аккумуляторный блок не полностью установлен на месте. Подайте блок до конца так, чтобы красная полоска не была видна. В противном случае, блок может выпасть из инструмента и травмировать либо вас, либо находящихся рядом людей.

Держите инструмент крепко одной рукой за переднюю ручку и другой рукой за основание аккумуляторного блока, чтобы не давать инструменту проворачиваться.

## Использование в качестве шуруповерта (Рис. 10)

### ПРЕДУПРЕЖДЕНИЕ:

- Установите регулировочное кольцо на усилие затяжки, соответствующее выполняемой работе.

Установите конец биты отвертки в головку шурупа и придавите инструмент к шурупу. Включите инструмент на медленной скорости и затем постепенно увеличивайте ее. Отпустите курковый выключатель, как только муфта начнет проскальзывать.

### ПРЕДУПРЕЖДЕНИЕ:


- Убедитесь, что бита отвертки прямо вставлена в головку шурупа. В противном случае шуруп и/или бита могут быть повреждены.

### ПРИМЕЧАНИЕ:

- При закручивании шурупов в дерево, предварительно сделайте в нем базовые отверстия, чтобы облегчить их закручивание и избежать раскалывания деревянной детали. См. таблицу.

| Номинальный диаметр шурупа (мм) | Рекомендуемый размер базового отверстия (мм) |
|---------------------------------|--|
| 3,1                             | 2,0 - 2,2                                    |
| 3,5                             | 2,2 - 2,5                                    |
| 3,8                             | 2,5 - 2,8                                    |
| 4,5                             | 2,9 - 3,2                                    |
| 4,8                             | 3,1 - 3,4                                    |
| 5,1                             | 3,3 - 3,6                                    |
| 5,5                             | 3,7 - 3,9                                    |
| 5,8                             | 4,0 - 4,2                                    |
| 6,1                             | 4,2 - 4,4                                    |

## Сверление

Сначала поверните регулировочное кольцо так, чтобы стрелка указывала на метку . Затем действуйте следующим образом.

### Сверление древесины

При сверлении древесины наилучшие результаты достигаются с применением сверл для дерева с направляющим винтом. Направляющий винт облегчает сверление, затягивая сверло в обрабатываемую деталь.

### Сверление металла

Во избежание соскальзывания сверла при начале сверления в месте сверления сделайте насечку на детали при помощи кернера и молотка. Установите конец сверла в полученную насечку и начните сверление.

При сверлении металла используйте специальную смазку. Исключения составляют железо и латунь, которые могут сверлиться всухую.

### ПРЕДУПРЕЖДЕНИЕ:

- Излишнее давление на инструмент не ускоряет процесса сверления. В действительности, излишнее давление на инструмент приведет только к повреждению конца сверла, снизит производительность инструмента и срок его службы.
- В момент выхода сверла из высверливаемой детали возникает огромное усилие на инструмент/сверло. Крепко держите инструмент во время начала выхода сверла из высверливаемой детали.
- Заклинившее сверло может быть просто извлечено из обрабатываемой детали путем изменения направления вращения при помощи переключателя. Однако если вы не будете крепко держать инструмент, он может резко сдвинуться назад.
- Всегда закрепляйте небольшие детали в тисках или других фиксирующих приспособлениях.
- Если инструмент использовался непрерывно до полного разряда аккумуляторного блока, выключите его, подождите 15 минут и только затем устанавливайте новый аккумуляторный блок.

## ОБСЛУЖИВАНИЕ

### ПРЕДУПРЕЖДЕНИЕ:

- Перед выполнением какого либо осмотра или обслуживания инструмента убедитесь, что устройство выключено и его аккумуляторный блок снят.

### Замена угольных щеток (Рис. 11)

Замените их, когда износ достигнет ограничительной метки. Угольные щетки всегда должны быть чистыми и свободно перемещаться в держателях.

Обе угольные щетки должны заменяться одновременно. Используйте только идентичные угольные щетки.

Используйте отвертку для отворачивания двух винтов, затем снимите заднюю крышку. (Рис. 12)

Поднимите часть пружины с ручкой и затем поместите ее в углубленную часть корпуса при помощи тонкой отвертки с плоским жалом или при помощи другого подходящего инструмента. (Рис. 13)

Используйте плоскогубцы для снятия колпачков с угольных щеток. Извлеките изношенные угольные щетки, установите новые и установите на место колпачки держателей щеток. (Рис. 14)

Убедитесь, что колпачки угольных щеток плотно вошли в отверстия держателей щеток. (Рис. 15)

Установите на место заднюю крышку и надежно заверните два винта.

Для обеспечения БЕЗОПАСНОСТИ и НАДЕЖНОСТИ инструмента выполняйте его ремонт, обслуживание или регулировку только в авторизованных сервисных центрах компании Makita и с использованием только оригинальных запасных частей компании Makita.

## ПРИНАДЛЕЖНОСТИ И ПРИСПОСОБЛЕНИЯ

### ПРЕДУПРЕЖДЕНИЕ:

- Данные принадлежности или приспособления рекомендуются для использования с инструментом Makita, указанным в настоящем руководстве. Использование каких либо других принадлежностей или приспособлений вызывает риск травматизма. Используйте принадлежности или приспособления только для тех целей, для которых они предназначены.

Если вам необходима помощь в получении дополнительной информации об этих принадлежностях и приспособлениях, обратитесь в местный сервисный центр компании Makita.

- Сверла
- Биты для шурупов
- Держатель бит
- Крючок
- Различные типы оригинальных аккумуляторных блоков и зарядных устройств компании Makita
- Адаптер автоматической подзарядки
- Пластиковый чехол для транспортировки

### Для модели BDF442

Только для европейских стран

#### Шум и вибрация

ENG003-2

Типичный уровень взвешенного звукового давления

(A) составляет 71 дБ (A).

Колебания составляют 3 дБ (A).

Уровень шума при выполнении работ может

превышать 85 дБ (A).

#### Используйте средства защиты слуха.

Типичное взвешенное среднеквадратичное значение

ускорения не превышает 2,5 м/сек<sup>2</sup>.

Эти значения были получены в соответствии с

EN60745.

### Для модели BDF452

Только для европейских стран

#### Шум и вибрация

ENG001-2

Типичный уровень взвешенного звукового давления

(A) составляет 70 дБ (A).

Уровень шума при выполнении работ может

превышать 85 дБ (A).

#### Используйте средства защиты слуха.

Типичное взвешенное среднеквадратичное значение

ускорения не превышает 2,5 м/сек<sup>2</sup>.

Эти значения были получены в соответствии с

EN60745.

### ДЕКЛАРАЦИЯ О СООТВЕТСТВИИ ЕС

ENH102-6

Модель: BDF442, BDF452

Под нашу собственную ответственность мы заявляем, что данное изделие соответствует следующим стандартам документов стандартизации; EN60745, EN55014 в соответствии с Директивами совета 2004/108/ЕС, 98/37/ЕС.

CE2006



Tomoyasu Kato (Томояшу Като)

Директор

Ответственный изготовитель:

**Makita Corporation**

3-11-8, Sumiyoshi cho, Anjo, Aichi, JAPAN

Уполномоченный представитель в Европе:

**Makita International Europe Ltd.**

Michigan Drive, Tongwell, Milton Keynes, Bucks MK15

8JD, ENGLAND

Makita Corporation  
Anjo, Aichi, Japan

884679-205